

WHEATHEART

PARTS MANUAL

X100 SERIES AUGER

Box 39
Rosenort, Manitoba, Canada
Phone: (204) 746-2396 Fax: (204) 746-2679
Toll Free: (866) 467-7207 (Canada & USA)
website: www.wheatheart.com email: sales@wheatheart.com

Printed in Canada



Revised: 25/01/2016

(This page intentionally left blank.)

TABLE OF CONTENTS

DESCRIPTION	PAGE
X100-63 TUBE & TRUSS COMPONENTS	4
X100-73 TUBE & TRUSS COMPONENTS	6
X100-83 TUBE & TRUSS COMPONENTS	8
X100-63 FRAME COMPONENTS	10
X100-73 FRAME COMPONENTS	12
X100-83 FRAME COMPONENTS	14
HYDRAULIC CYLINDER, X100-63	16
HYDRAULIC CYLINDER, X100-73	17
HYDRAULIC CYLINDER, X100-83	18
X100 BOOT	19
X100 SWING TUBE	22
X100 LOW PROFILE HOPPER	24
X100 HYDRAULIC WINCH [A296]	28
X100 RIGHT ANGLE DRIVE [A293]	30
X100 REVERSING KIT [A292]	32
A269 ELECTRIC POWER SWING-10"	34
A270 HYDRAULIC POWER SWING-10"	36
X100 UPPER GEARBOX	38
X100 LOWER GEARBOX	39
X100-63, 73 CONSTANT VELOCITY PTO SHAFT (WEASLER)	41
X100-83 CONSTANT VELOCITY PTO SHAFT (WEASLER)	42

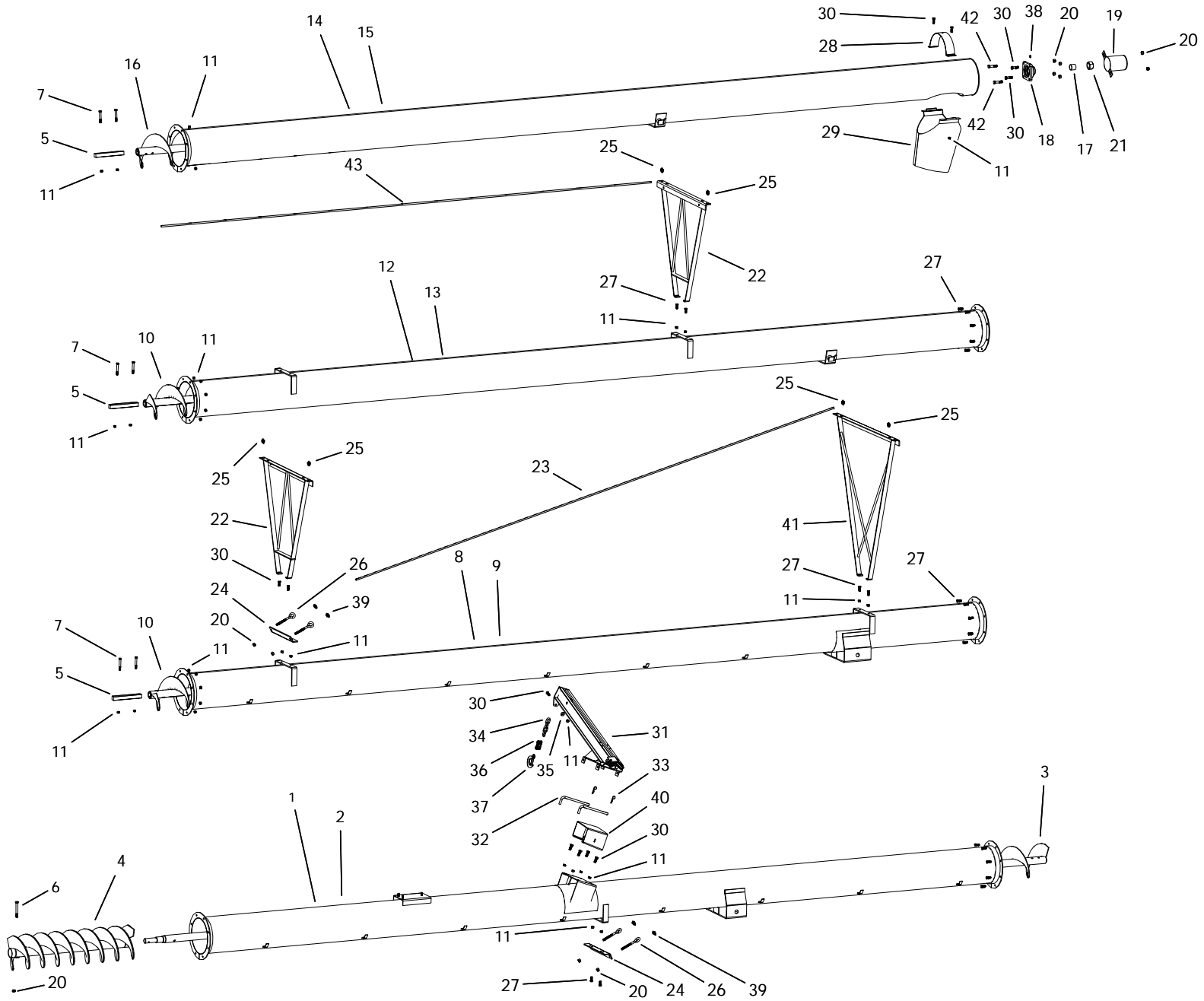
X100-63 TUBE & TRUSS COMPONENTS

ITEM	PART NO.	DESCRIPTION
1	10-21729	X1063 LOWER TUBE BUNDLE
2	10-21728	X1063 LOWER TUBE ONLY
3	10-21692	MKX1063 LOWER FLIGHT
4	10-21708	MKX/X10 BOOT FLIGHT
5	10-21690	MKX/X10 FLIGHT CONNECTING SHAFT
6	10-18947	1/2" X 4" NC BOLT GR 8 PLTD
7	10-19546	7/16" X 3" NC BOLT GR 5 PLTD
8	10-21731	X1063/73 MIDDLE TUBE BUNDLE
9	10-21730	X1063/73 MIDDLE TUBE ONLY
10	10-21693	MKX1063/73 MIDDLE FLIGHT
11	10-19598	7/16" NC NYLON LOCKNUT GR 2 PLTD
12	10-21733	X1063/73 UPPER TUBE BUNDLE
13	10-21732	X1063/73 UPPER TUBE ONLY
14	10-21696	MKX100-53/63/73 UPPER FLIGHT
15	10-19567	BEARING, 1-1/4" PILLOW
16	10-27576WH	THRUST ADJUSTER COVER
17	10-21657	BUSHING, MKX/X10 THRUST ADJUSTER
18	10-27816	1/2" X 2" NC BOLT GR 5 PLTD
19	10-19974	1/2" X 1-3/4" NC BOLT GR 8 PLTD
20	10-19599	1/2" NC NYLON LOCKNUT GR 2 PLTD
21	10-21615	1-1/4" NF HEX NUT GR 5 PLAIN
22	4504083	LOW TRUSS, 30"
23	10-27503	LIFT CABLE
24	10-18032WH	X10 TRUSS ATTACH ANGLE
25	10-19333	5/16" CABLE CLAMP
26	10-19331	EYE BOLT/NUT 1/2" X 5"
27	10-19542	7/16" X 1" NC BOLT GR 5 PLTD
28	10-19801	CLAMP, HALF
29	10-29307	SPOUT, 10 INCH ROLLED
30	10-18698	7/16" X 1-1/4" NC BOLT GR 8 PLTD
31	10-21629	MKX/X100 HOPPER LIFT ARM
32	10-18074	MOUNT PIN
33	10-19463	SNAP PIN
34	10-21818	MKX/X10 LIFT ARM TRANSPORT HOOK ASSEMBLY
35	10-17182	7/16" TRACK WASHER
36	10-20083	5/16" MIDLINK
37	10-28997	1/2T EYE HOIST HOOK PAINTED W/LATCH
38	10-19222	GREASE ZERK
39	10-18990	3/8" CABLE CLAMP
40	10-17376	MK LP HOPPER CABLE (NOT SHOWN)

X100-73 TUBE & TRUSS COMPONENTS

ITEM	PART NO.	DESCRIPTION
1	10-21735	X1073/83 LOWER TUBE BUNDLE
2	10-21734	X1073/83 LOWER TUBE ONLY
3	10-21664	MKX1073/83 LOWER FLIGHT
4	10-21708	MKX/X10 BOOT FLIGHT
5	10-21690	MKX/X10 FLIGHT CONNECTING SHAFT
6	10-18947	1/2" X 4" NC BOLT GR 8 PLTD
7	10-19546	7/16" X 3" NC BOLT GR 5 PLTD
8	10-21731	X1063/73 MIDDLE TUBE BUNDLE
9	10-21730	X1063/73 MIDDLE TUBE ONLY
10	10-21693	MKX1063/73 MIDDLE FLIGHT
11	10-19598	7/16" NC NYLON LOCKNUT GR 2 PLTD
12	10-21733	X1063/73 UPPER TUBE BUNDLE
13	10-21732	X1063/73 UPPER TUBE ONLY
14	10-21696	MKX100-53/63/73 UPPER FLIGHT
15	10-19567	BEARING, 1-1/4" PILLOW
16	10-27576WH	THRUST ADJUSTER COVER
17	10-21657	BUSHING, MKX/X10 THRUST ADJUSTER
18	10-27816	1/2" X 2" NC BOLT GR 5 PLTD
19	10-19974	1/2" X 1-3/4" NC BOLT GR 8 PLTD
20	10-19599	1/2" NC NYLON LOCKNUT GR 2 PLTD
21	10-21615	1-1/4" NF HEX NUT GR 5 PLAIN
22	4504083	LOW TRUSS, 30"
23	10-17653	LIFT CABLE, 106' X 3/8"
24	10-18032WH	X10 TRUSS ATTACH ANGLE
25	10-19333	5/16" CABLE CLAMP
26	10-19331	EYE BOLT/NUT 1/2" X 5"
27	10-19542	7/16" X 1" NC BOLT GR 5 PLTD
28	10-19801	CLAMP, HALF
29	10-29307	SPOUT, 10 INCH ROLLED
30	10-18698	7/16" X 1-1/4" NC BOLT GR 8 PLTD
31	10-21629	MKX/X100 HOPPER LIFT ARM
32	10-18074	MOUNT PIN
33	10-19463	SNAP PIN
34	10-21818	MKX/X10 LIFT ARM TRANSPORT HOOK ASSEMBLY
35	10-17182	7/16" TRACK WASHER
36	10-20083	5/16" MIDLINK
37	10-28997	1/2T EYE HOIST HOOK PAINTED W/LATCH
38	10-19222	GREASE ZERK
39	10-18990	3/8" CABLE CLAMP
40	10-21819	X1073 TRUSS CABLE
41	10-17376	MK LP HOPPER CABLE (NOT SHOWN)

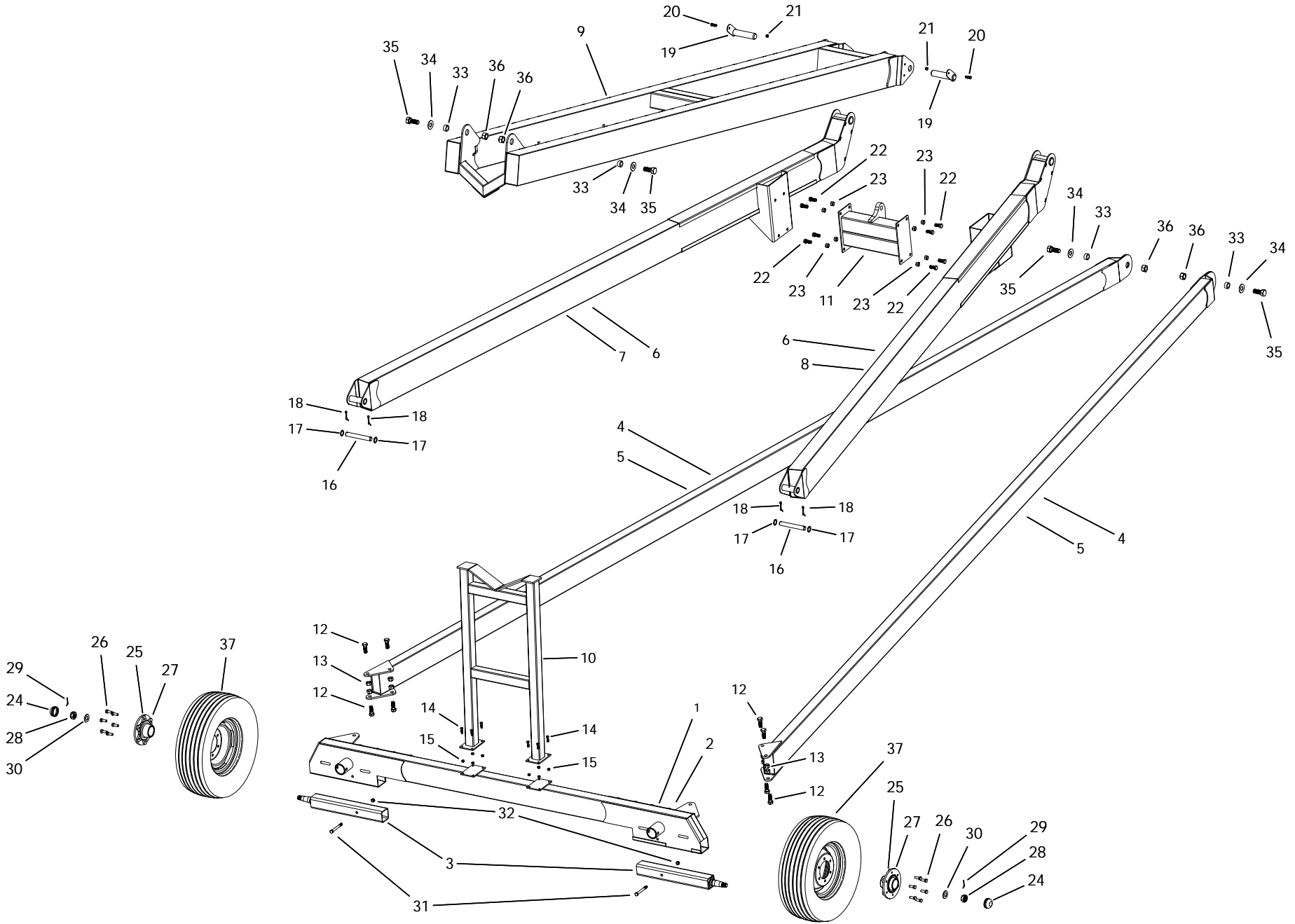
X100-83 TUBE & TRUSS COMPONENTS



X100-83 TUBE & TRUSS COMPONENTS

ITEM	PART NO.	DESCRIPTION
1	10-21735	X1073/83 LOWER TUBE BUNDLE
2	10-21734	X1073/83 LOWER TUBE ONLY
3	10-21664	MKX1073/83 LOWER FLIGHT
4	10-21708	MKX/X10 BOOT FLIGHT
5	10-21690	MKX/X10 FLIGHT CONNECTING SHAFT
6	10-18947	1/2" X 4" NC BOLT GR 8 PLTD
7	10-19546	7/16" X 3" NC BOLT GR 5 PLTD
8	10-21737	X1083 LOWER MIDDLE TUBE BUNDLE
9	10-21736	X1083 LOWER MIDDLE TUBE ONLY
10	10-21695	MKX1083 MIDDLE FLIGHT
11	10-19598	7/16" NC NYLON LOCKNUT GR 2 PLTD
12	10-21739	X1083 UPPER MIDDLE TUBE BUNDLE
13	10-21738	X1083 UPPER MIDDLE TUBE ONLY
14	10-21741	X1083 UPPER TUBE BUNDLE
15	10-21740	X1083 UPPER TUBE ONLY
16	10-21697	MKX100-83 UPPER FLIGHT
17	10-21657	BUSHING, MKX/X10 THRUST ADJUSTER
18	10-19567	BEARING, 1-1/4" PILLOW
19	10-27576WH	THRUST ADJUSTER COVER
20	10-19599	1/2" NC NYLON LOCKNUT GR 2 PLTD
21	10-21615	1-1/4" NF HEX NUT GR 5 PLAIN
22	4504083	LOW TRUSS, 30"
23	10-27502	UNDERTRUSS CABLE
24	10-18032WH	X10 TRUSS ATTACH ANGLE
25	10-19333	5/16" CABLE CLAMP
26	10-19331	EYE BOLT/NUT 1/2" X 5"
27	10-19542	7/16" X 1" NC BOLT GR 5 PLTD
28	10-19801	CLAMP, HALF
29	10-29307	SPOUT, 10 INCH ROLLED
30	10-18698	7/16" X 1-1/4" NC BOLT GR 8 PLTD
31	10-21629	MKX/X100 HOPPER LIFT ARM
32	10-18074	MOUNT PIN
33	10-19463	SNAP PIN
34	10-21818	MKX/X10 LIFT ARM TRANSPORT HOOK ASSEMBLY
35	10-17182	7/16" TRACK WASHER
36	10-20083	5/16" MIDLINK
37	10-28997	1/2T EYE HOIST HOOK PAINTED W/LATCH
38	10-19222	GREASE ZERK
39	10-18990	3/8" CABLE CLAMP
40	10-21800	MKX/X100-83 LIFT ARM EXTENSION
41	4504174	42" TRUSS BRACKET
42	10-27816	1/2" X 2" NC BOLT GR 5 PLTD
43	10-21808	MKX/X1083 TRUSS CABLE
44	10-17376	MK LP HOPPER CABLE (NOT SHOWN)

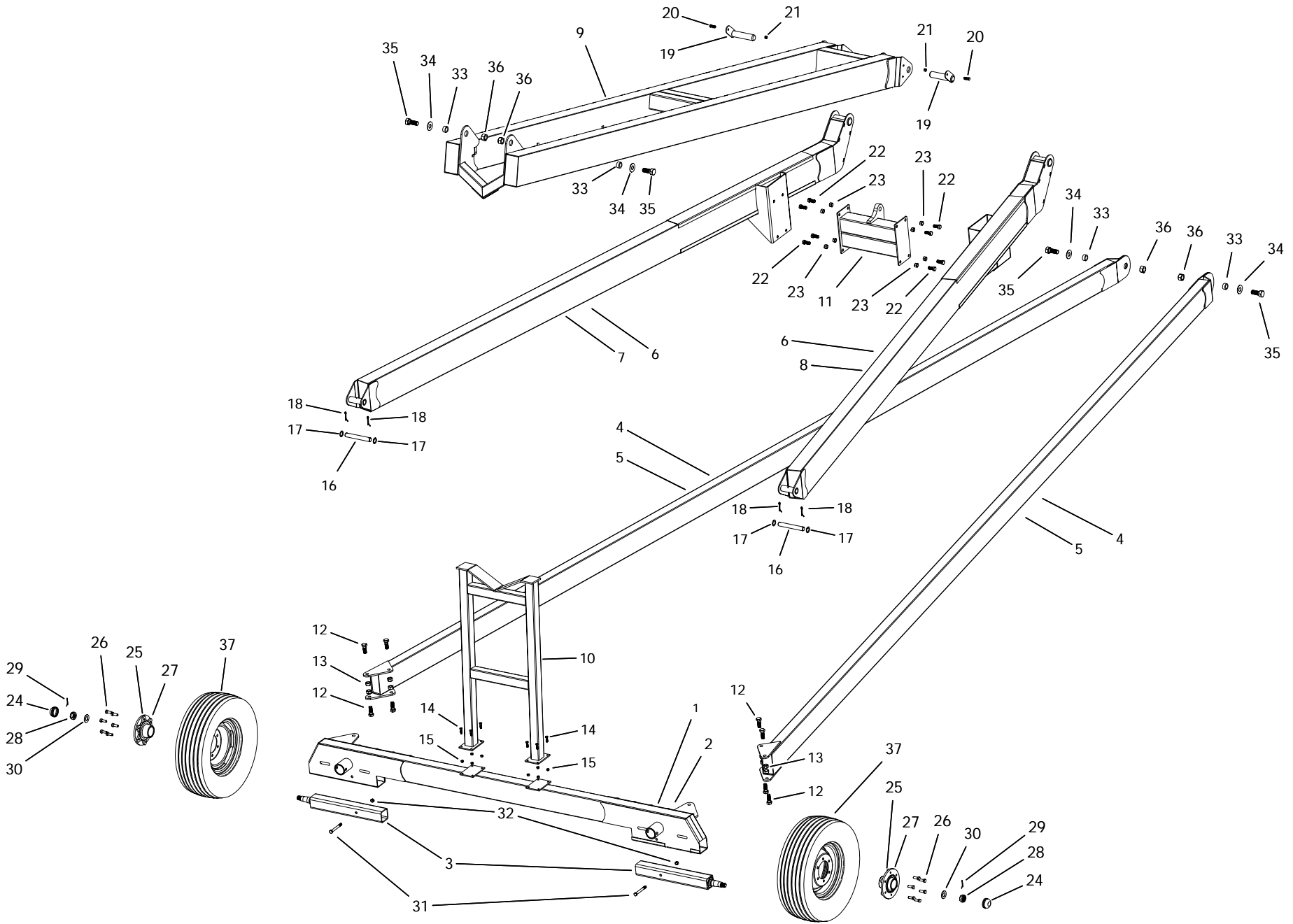
X100-63 FRAME COMPONENTS



X100-63 FRAME COMPONENTS

ITEM	PART NO.	DESCRIPTION
1	10-21765	X1063/73 AXLE ASSEMBLY
2	10-21747	X10 AXLE
3	10-21748	X1063/73 AXLE EXTENSION
4	10-21759	X1063 LOWER ARM BUNDLE
5	10-21742	X1063 LOWER REACH ARM
6	10-21762	X1063 LOWER SCISSOR BUNDLE
7	10-21743	X1063 LOWER SCISSOR, RH
8	10-21744	X1063 LOWER SCISSOR, LH
9	10-21745	X1063 UPPER SCISSOR
10	10-21746	X10 TRANSPORT STAND
11	10-21757	X10 SHORT CROSSMEMBER
12	10-19592	3/4" X 2" NC BOLT GR 8 PLTD
13	10-19601	3/4" NC NYLON LOCKNUT PLTD
14	10-19975	3/8" X 1-1/4" NC BOLT GR 5 PLTD
15	10-17402	3/8" NC NYLON LOCKNUT PLTD
16	10-20049	LOWER SCISSOR ATTACH PIN
17	10-18097	1" RIM WASHER PLTD
18	10-18098	1/4" X 1-3/4" COTTER PIN PLTD
19	10-21771	X10 SCISSOR PIN
20	10-18698	7/16" X 1-1/4" NC BOLT GR 8 PLTD
21	10-19598	7/16" NC NYLON LOCKNUT GR 2 PLTD
22	10-19590	5/8" X 1-1/2" NC BOLT GR 8 PLTD
23	10-19600	5/8" NC NYLON LOCKNUT PLTD
24	10-17012	DUST CAP
25	10-17013	HUB ASSEMBLY
26	10-19273	1/2" X 1-3/4" NF #5 WHEEL BOLT
27	10-17009	HUB, 6-BOLT
28	10-17011	NUT, 1" SLOTTED
29	10-19271	1/8" X 1-1/2" COTTER PIN
30	10-17010	WASHER, HUB
31	10-29160	1/2" X 4-1/2" NC BOLT GR 8 PLTD
32	10-19599	1/2" NC NYLON LOCKNUT GR 2 PLTD
33	10-20297	SPACER BUSHING, SHORT
34	10-17020	1" FLAT WASHER PLTD
35	10-28483	1" X 2-1/2" NC BOLT GR 5 PLTD
36	10-17019	1" NC NYLON LOCKNUT PLTD
37	10-29015	16 X 6 X 6 BOLT WHEEL ASSEMBLY

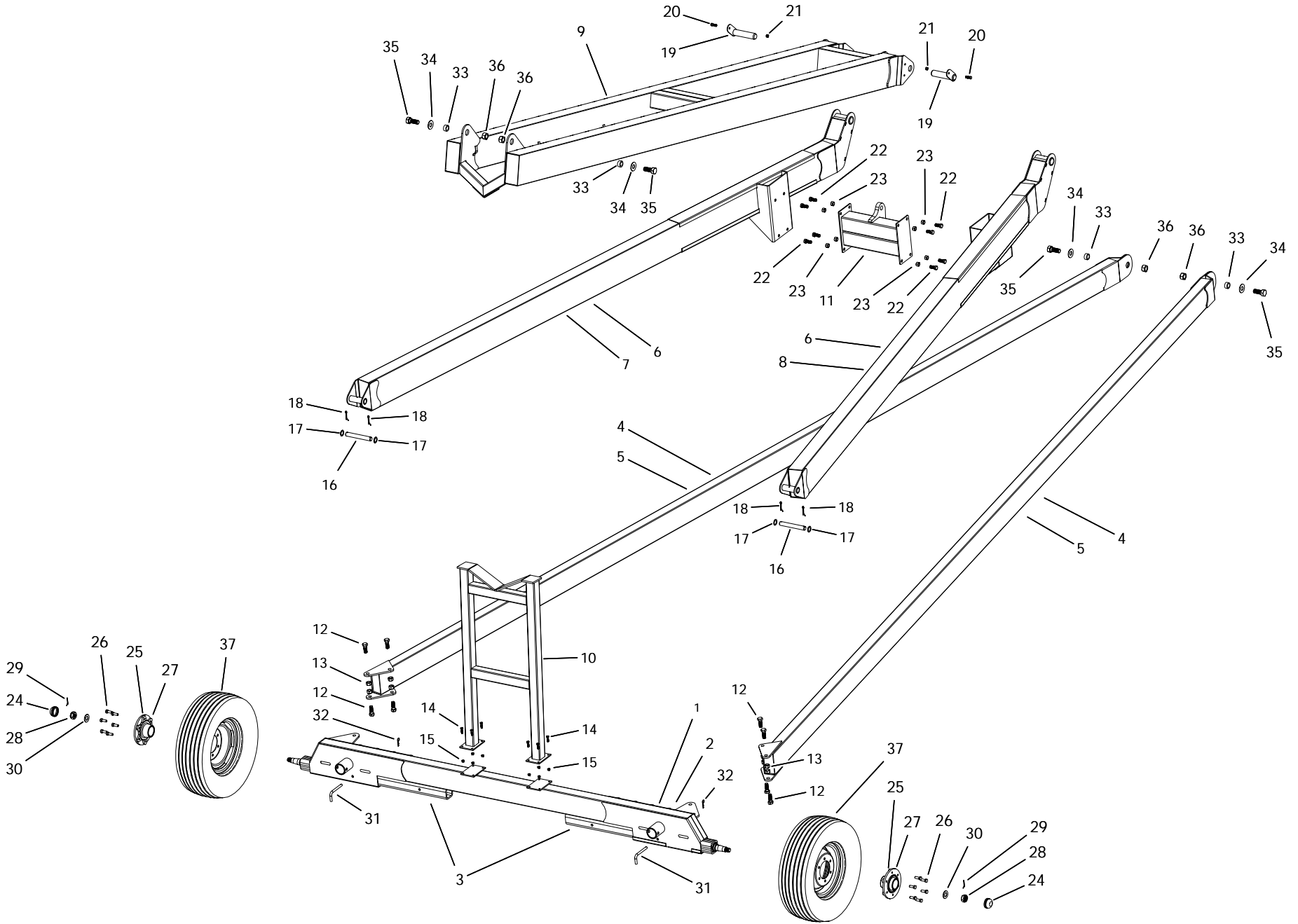
X100-73 FRAME COMPONENTS



X100-73 FRAME COMPONENTS

ITEM	PART NO.	DESCRIPTION
1	10-21765	X1063/73 AXLE ASSEMBLY
2	10-21747	X10 AXLE
3	10-21748	X1063/73 AXLE EXTENSION
4	10-21760	X1073 LOWER ARM BUNDLE
5	10-21749	X1073 LOWER REACH ARM
6	10-21763	X1073 LOWER SCISSOR BUNDLE
7	10-21751	X1073 LOWER SCISSOR, RH
8	10-21750	X1073 LOWER SCISSOR, LH
9	10-21752	X1073 UPPER SCISSOR
10	10-21746	X10 TRANSPORT STAND
11	10-21757	X10 SHORT CROSSMEMBER
12	10-19592	3/4" X 2" NC BOLT GR 8 PLTD
13	10-19601	3/4" NC NYLON LOCKNUT PLTD
14	10-19975	3/8" X 1-1/4" NC BOLT GR 5 PLTD
15	10-17402	3/8" NC NYLON LOCKNUT PLTD
16	10-20049	LOWER SCISSOR ATTACH PIN
17	10-18097	1" RIM WASHER PLTD
18	10-18098	1/4" X 1-3/4" COTTER PIN PLTD
19	10-21771	X10 SCISSOR PIN
20	10-18698	7/16" X 1-1/4" NC BOLT GR 8 PLTD
21	10-19598	7/16" NC NYLON LOCKNUT GR 2 PLTD
22	10-19590	5/8" X 1-1/2" NC BOLT GR 8 PLTD
23	10-19600	5/8" NC NYLON LOCKNUT PLTD
24	10-17012	DUST CAP
25	10-17013	HUB ASSEMBLY
26	10-19273	1/2" X 1-3/4" NF #5 WHEEL BOLT
27	10-17009	HUB, 6-BOLT
28	10-17011	NUT, 1" SLOTTED
29	10-19271	1/8" X 1-1/2" COTTER PIN
30	10-17010	WASHER, HUB
31	10-29160	1/2" X 4-1/2" NC BOLT GR 8 PLTD
32	10-19599	1/2" NC NYLON LOCKNUT GR 2 PLTD
33	10-20297	SPACER BUSHING, SHORT
34	10-17020	1" FLAT WASHER PLTD
35	10-28483	1" X 2-1/2" NC BOLT GR 5 PLTD
36	10-17019	1" NC NYLON LOCKNUT PLTD
37	10-29015	16 X 6 X 6 BOLT WHEEL ASSEMBLY

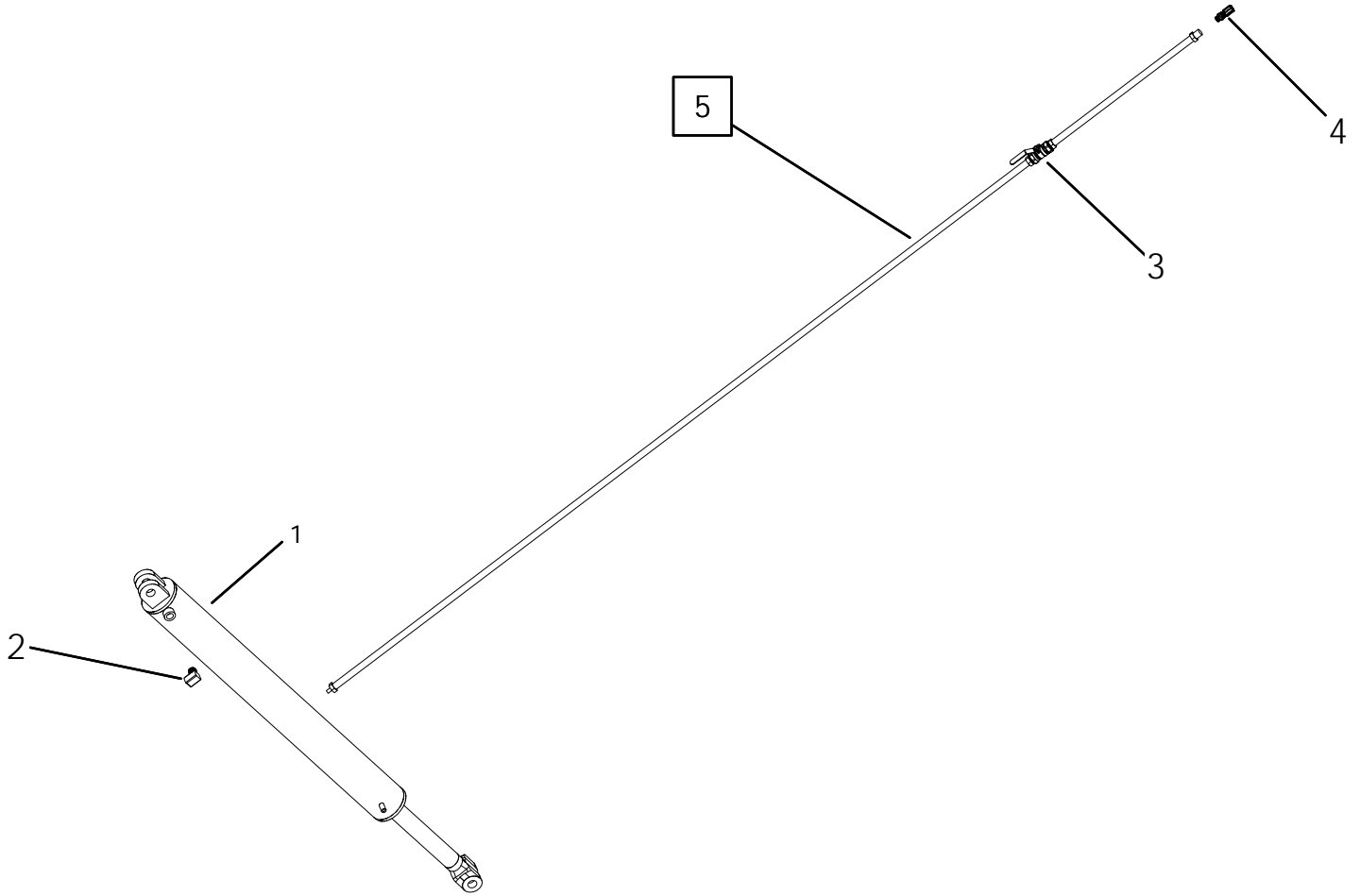
X100-83 FRAME COMPONENTS



X100-83 FRAME COMPONENTS

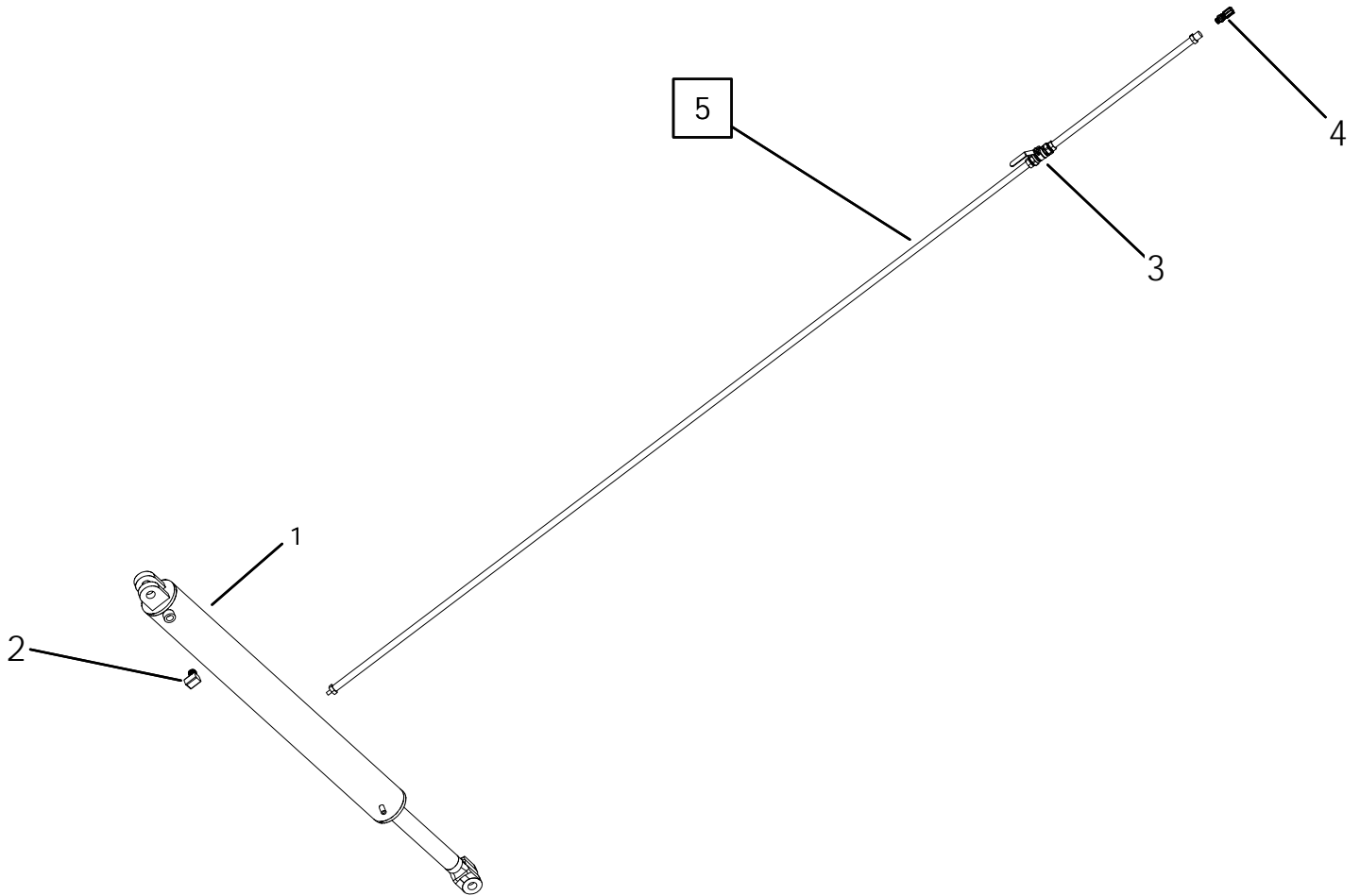
ITEM	PART NO.	DESCRIPTION
1	10-21766	X1083 AXLE ASSEMBLY
2	10-21747	X10 AXLE
3	10-22146	AXLE EXTENSION
4	10-21761	X1083 LOWER ARM BUNDLE
5	10-21753	X1083 LOWER REACH ARM
6	10-21764	X1083 LOWER SCISSOR BUNDLE
7	10-21755	X1083 LOWER SCISSOR, RH
8	10-21754	X1083 LOWER SCISSOR, LH
9	10-21756	X1083 UPPER SCISSOR
10	10-21746	X10 TRANSPORT STAND
11	10-21757	X10 SHORT CROSSMEMBER
12	10-19592	3/4" X 2" NC BOLT GR 8 PLTD
13	10-19601	3/4" NC NYLON LOCKNUT PLTD
14	10-19975	3/8" X 1-1/4" NC BOLT GR 5 PLTD
15	10-17402	3/8" NC NYLON LOCKNUT PLTD
16	10-20049	LOWER SCISSOR ATTACH PIN
17	10-18097	1" RIM WASHER PLTD
18	10-18098	1/4" X 1-3/4" COTTER PIN PLTD
19	10-21771	X10 SCISSOR PIN
20	10-18698	7/16" X 1-1/4" NC BOLT GR 8 PLTD
21	10-19598	7/16" NC NYLON LOCKNUT GR 2 PLTD
22	10-19590	5/8" X 1-1/2" NC BOLT GR 8 PLTD
23	10-19600	5/8" NC NYLON LOCKNUT PLTD
24	10-17012	DUST CAP
25	10-17013	HUB ASSEMBLY
26	10-19273	1/2" X 1-3/4" NF #5 WHEEL BOLT
27	10-17009	HUB, 6-BOLT
28	10-17011	NUT, 1" SLOTTED
29	10-19271	1/8" X 1-1/2" COTTER PIN
30	10-17010	WASHER, HUB
31	10-19648	SADDLE PIN
32	10-19463	SNAP PIN
33	10-20297	SPACER BUSHING, SHORT
34	10-17020	1" FLAT WASHER PLTD
35	10-28483	1" X 2-1/2" NC BOLT GR 5 PLTD
36	10-17019	1" NC NYLON LOCKNUT PLTD
37	10-29015	16 X 6 X 6 BOLT WHEEL ASSEMBLY

HYDRAULIC CYLINDER, X100-63



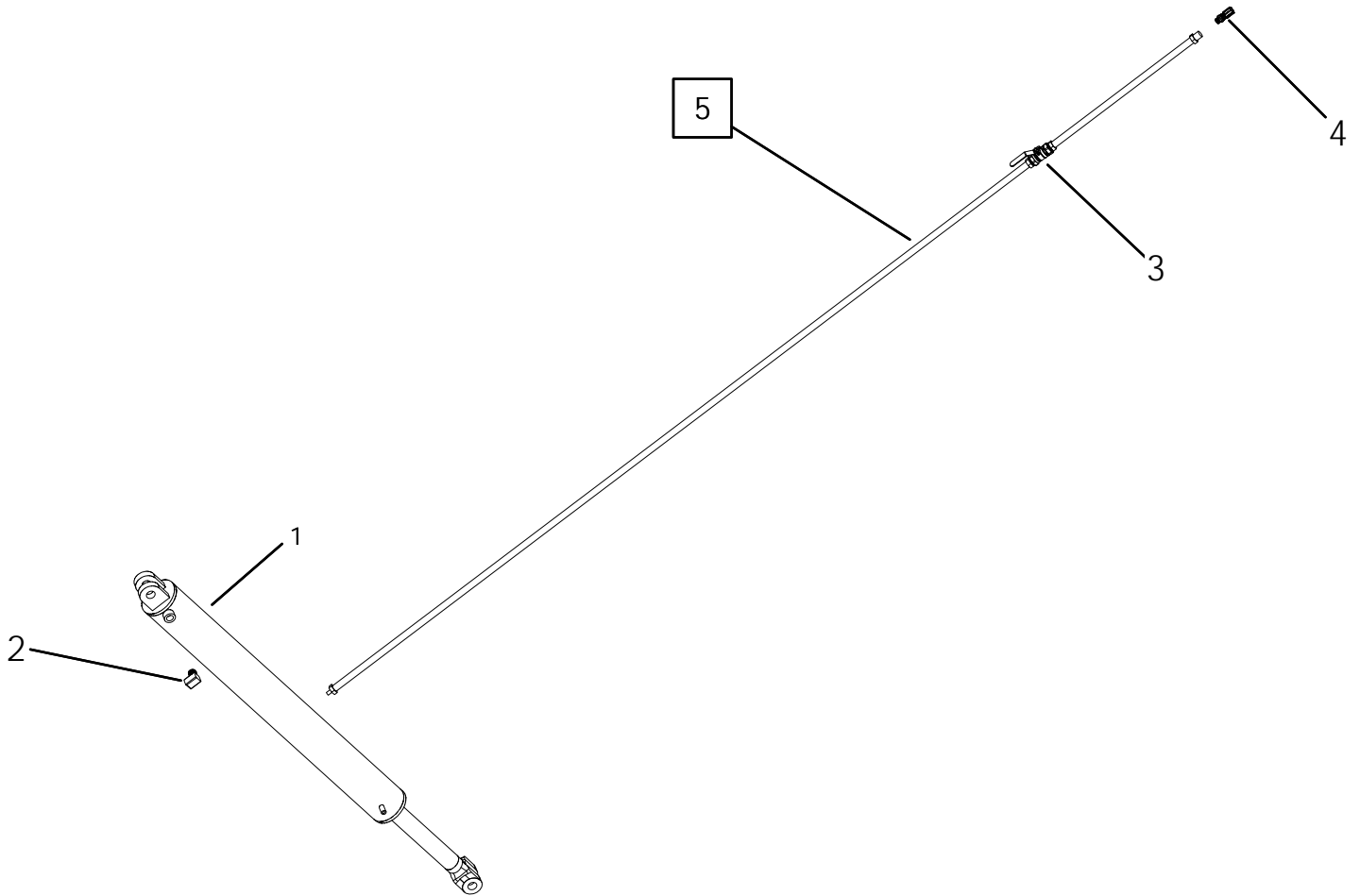
ITEM	PART NO.	DESCRIPTION
1	9900158	HYDRAULIC CYLINDER
2	10-28478	STEEL ELBOW
3	10-18084	BALL VALVE
4	9900047	PIONEER COUPLER
5	10-21609	HYDRAULIC HOSE ASSEMBLY KIT (INCLUDES SHORT, LONG HOSE AND BALL VALVE)

HYDRAULIC CYLINDER, X100-73



ITEM	PART NO.	DESCRIPTION
1	9900158	HYDRAULIC CYLINDER
2	10-28478	STEEL ELBOW
3	10-18084	BALL VALVE
4	9900047	PIONEER COUPLER
5	10-21610	HYDRAULIC HOSE ASSEMBLY KIT (INCLUDES SHORT, LONG HOSE AND BALL VALVE)

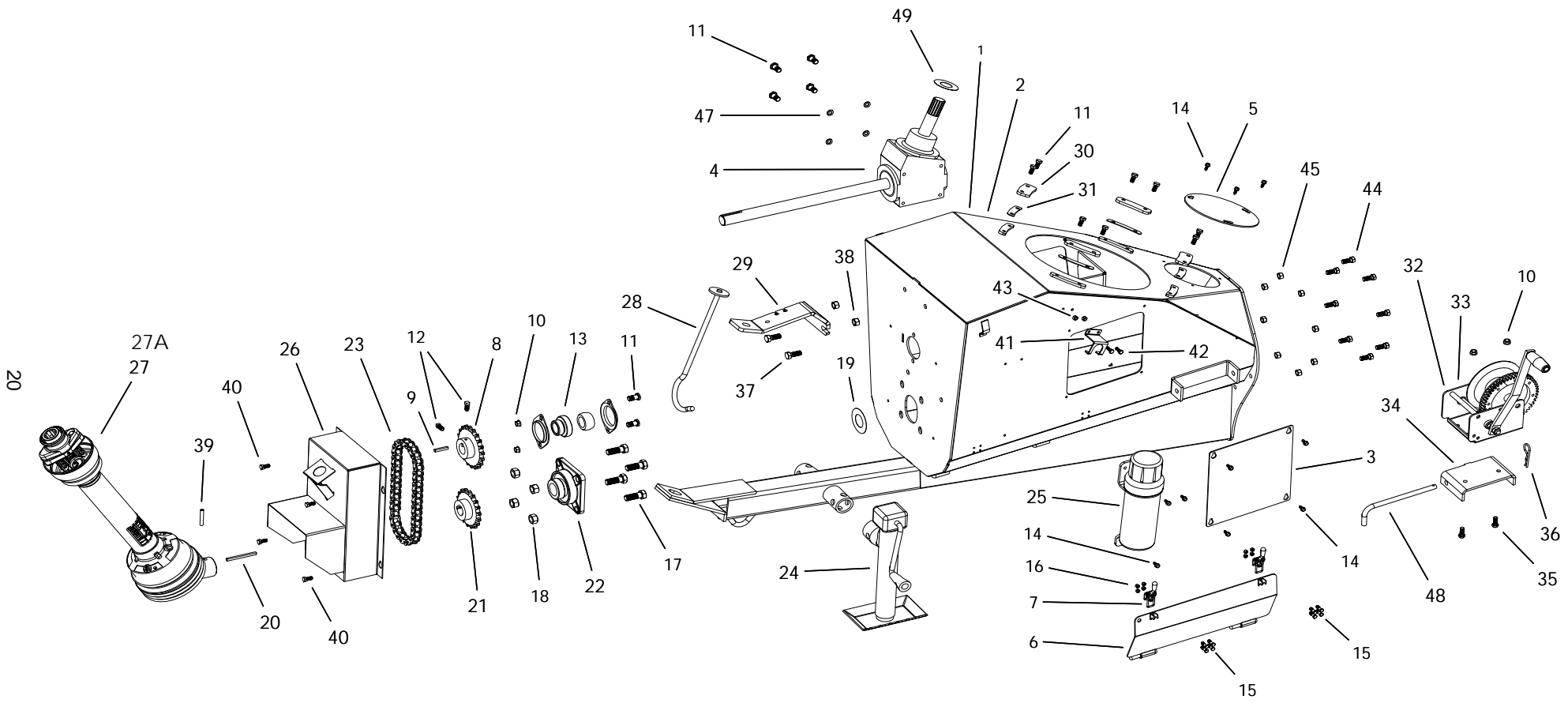
HYDRAULIC CYLINDER, X100-83



ITEM	PART NO.	DESCRIPTION
1	9900158	HYDRAULIC CYLINDER
2	10-28478	STEEL ELBOW
3	10-18084	BALL VALVE
4	9900047	PIONEER COUPLER
5	10-21611	HYDRAULIC HOSE ASSEMBLY KIT (INCLUDES SHORT, LONG HOSE AND BALL VALVE)

(This page intentionally left blank.)

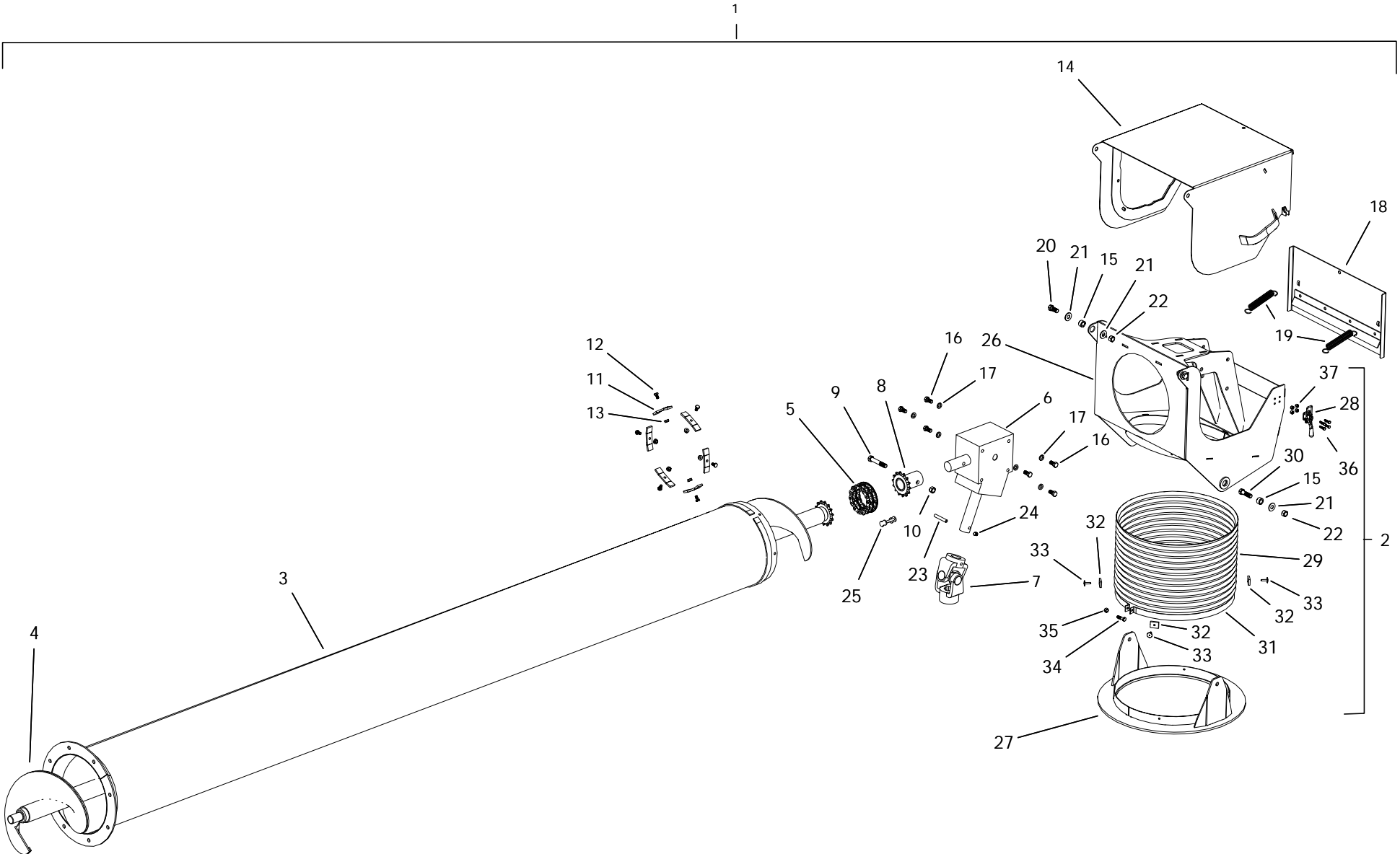
X100 BOOT



X100 BOOT

ITEM	PART NO.	DESCRIPTION
1	10-21632	MKX/X10 GEAR BOOT ASSEMBLY
2	10-21633	MKX/X10 GEAR BOOT ONLY
3	10-20061	BOOT SERVICE DOOR
4	10-21549	GEARBOX
5	10-17374	ACCESS COVER
6	10-21634	MKX/X10 CLEANOUT DOOR
7	10-20052	LATCH AND CATCH
8	10-18713	60B20 X 1-1/4 SPROCKET
9	10-19606	1/4" X 1-1/2" SQAURE KEY
10	10-19596	3/8" NC SERRATED FLANGE NUT PLTD
11	10-19540	3/8" X 3/4" NC BOLT GR 5 PLTD
12	10-29118	SETSCREW, 3/8" X 3/4" GR 8 SQ END
13	10-19322	1-1/4 2 HOLE FLANGE BEARING
14	10-19274	SELF TAPPING SCREW
15	10-20335	#8 X 3/4" BOLT PLTD
16	10-20336	#8 LOCKNUT PLTD
17	10-18544	5/8" X 1-3/4" NC BOLT GR 5 PLTD
18	10-19600	5/8" NC NYLON LOCKNUT PLTD
19	10-21707	RIM WASHER, 1-1/2"
20	10-21758	1/4" X 3-3/8" SQUARE KEY
21	10-21567	60B18 X 1-1/4 SPROCKET
22	10-17292	1-1/2" PILLOW BLOCK BEARING
23	10-18726	CHAIN
24	10-18080	JACK
25	10-29755	WATERPROOF PLASTIC MANUAL HOLDER
26	10-21635	MKX/X10 SPROCKET COVER
27	10-18484	BLUE END CV PTO SHAFT (63/73')
27A	10-27481	CV PTO SHAFT (WHITE) (83')
28	10-18754	TRANSPORT SADDLE
29	10-20042	PTO BRACKET
30	10-29166	SPOUT HEAD RETAINER
31	10-29152	LRG BOOT RETAINER SPACER
32	10-22104	WINCH MOUNT ASSEMBLY
33	10-19151	WINCH & HANDLE
34	10-22052	WINCH BRACKET
35	10-18955	3/8" X 1" NC BOLT GR 5 PLTD
36	10-19463	SNAP PIN
37	10-19588	1/2" X 1-1/4" NC BOLT GR 5 PLTD
38	10-19599	1/2" NC NYLON LOCKNUT GR 2 PLTD
39	10-18079	5/16" X 2" ROLL PIN
40	10-19538	5/16" X 3/4" NC BOLT GR 2 PLTD
41	10-21932	SHUT OFF VALVE HOLDER
42	9900800	1/4" X 3/4" NC BOLT GR 5 PLTD
43	10-28449	1/4" NC NYLON LOCKNUT PLTD
44	10-19542	7/16" X 1" NC BOLT GR 5 PLTD
45	10-19598	7/16" NC NYLON LOCKNUT GR 2 PLTD
47	10-19604	3/8" LOCK WASHER PLTD
48	10-18074	MOUNT PIN
49	10-17370	1-1/4" WIDE RIM WASHER

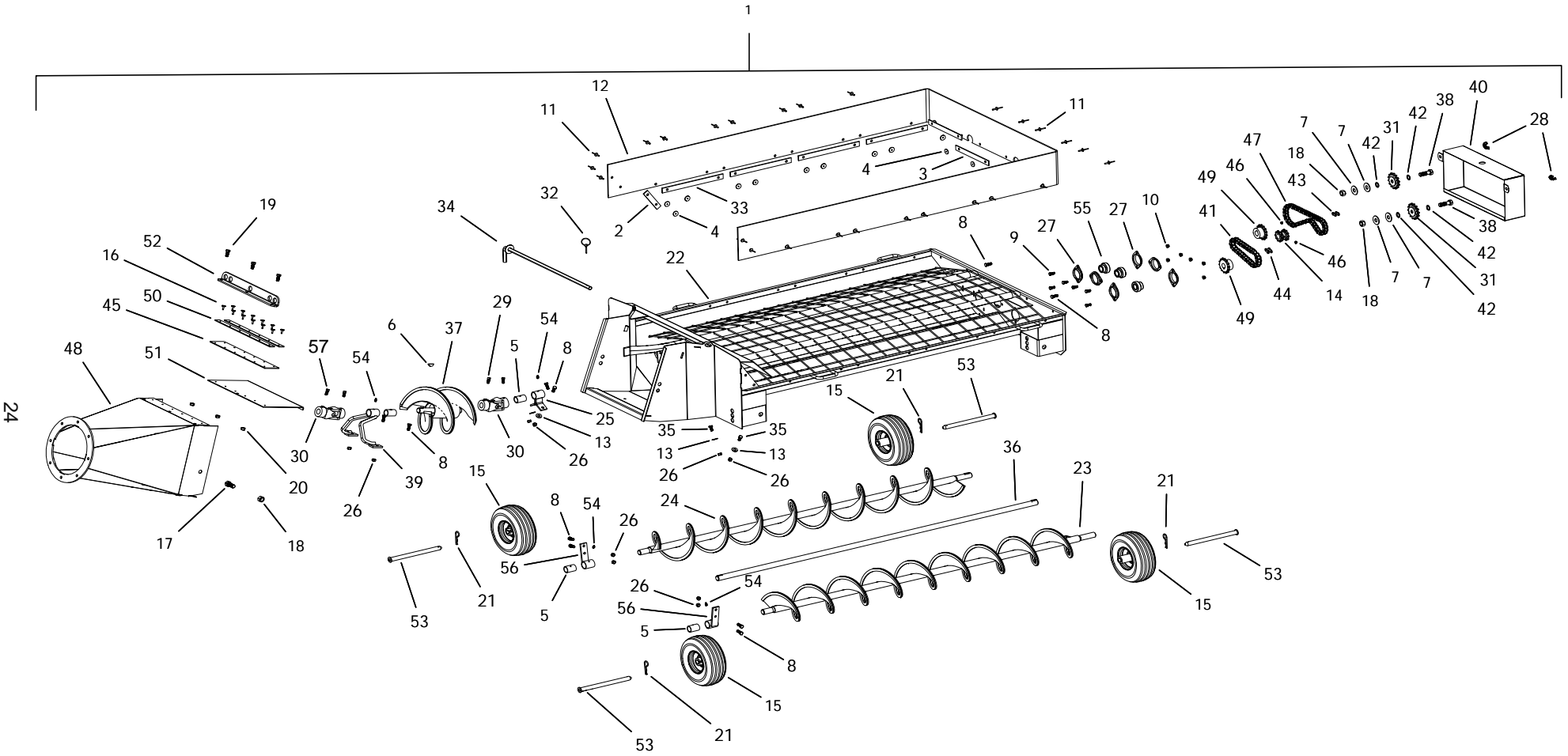
X100 SWING TUBE



X100 SWING TUBE

ITEM	PART NO.	DESCRIPTION
1	10-21644	MKX/X10 GEAR SWING TUBE BUNDLE
2	10-21649	MKX/X10 SPOUT HEAD ASSEMBLY
3	10-18866	SWING TUBE ONLY
4	10-21711	MKX/X10 SWING TUBE FLIGHT
5	10-21571	#50-13P DOUBLE ROLLER CHAIN
6	10-18849	UPPER GEARBOX
7	10-18727	SPLINED U-JOINT (BLACK)
8	10-21568	50B14 CUSTOM SPROCKET C/W PIN HOLE
9	10-17747	7/16" X 2-1/2" NC BOLT GR 8 PLTD
10	10-19598	7/16" NC NYLON LOCKNUT GR 2 PLTD
11	10-18877	SPOUT ATTACH PLATE
12	10-19537	1/4" X 1/2" HEX WASHER HEAD GR 5 PLTD
13	10-19594	1/4" NC SERRATED FLANGE NUT PLTD
14	10-21642	MKX/X10 SPOUTHEAD LID
15	10-27889	LEVELLER BUSHING
16	10-19540	3/8" X 3/4" NC BOLT GR 5 PLTD
17	10-19604	3/8" LOCK WASHER PLTD
18	10-21643	MKX/X10 SPOUTHEAD DOOR
19	10-18728	EXTENSION SPRING
20	10-19542	7/16" X 1" NC BOLT GR 5 PLTD
21	10-28485	7/16" SAE WASHER PLTD
22	10-17593	7/16" NC NYLON LOCKNUT GR 5 YLW PLTD
23	10-18079	5/16" X 2" ROLL PIN
24	10-19225	3/8" X 3/8" SET SCREW
25	10-20048	#50 DOUBLE CONNECTOR LINK
26	10-21641	MKX/X10 SPOUTHEAD ONLY
27	10-21640	MKX/X10 SPOUTHEAD BASE
28	10-20052	LATCH AND CATCH
29	10-21604	14" ID X 10" LONG CLEAR FLEX HOSE
30	10-28744	7/16" X 1-1/2" NC BOLT GR 5 PLTD
31	10-21770	MKX/X10 SPOUT HEAD HOSE STRAP
32	10-29252	DUCTING SECURE TAB
33	10-18185	LARGE FLANGE RIVET
34	10-19988	1/4" X 1" NC BOLT GR 2 PLTD
35	10-28449	1/4" NC NYLON LOCKNUT PLTD
36	10-20335	#8 X 3/4" BOLT PLTD
37	10-20336	#8 LOCKNUT PLTD

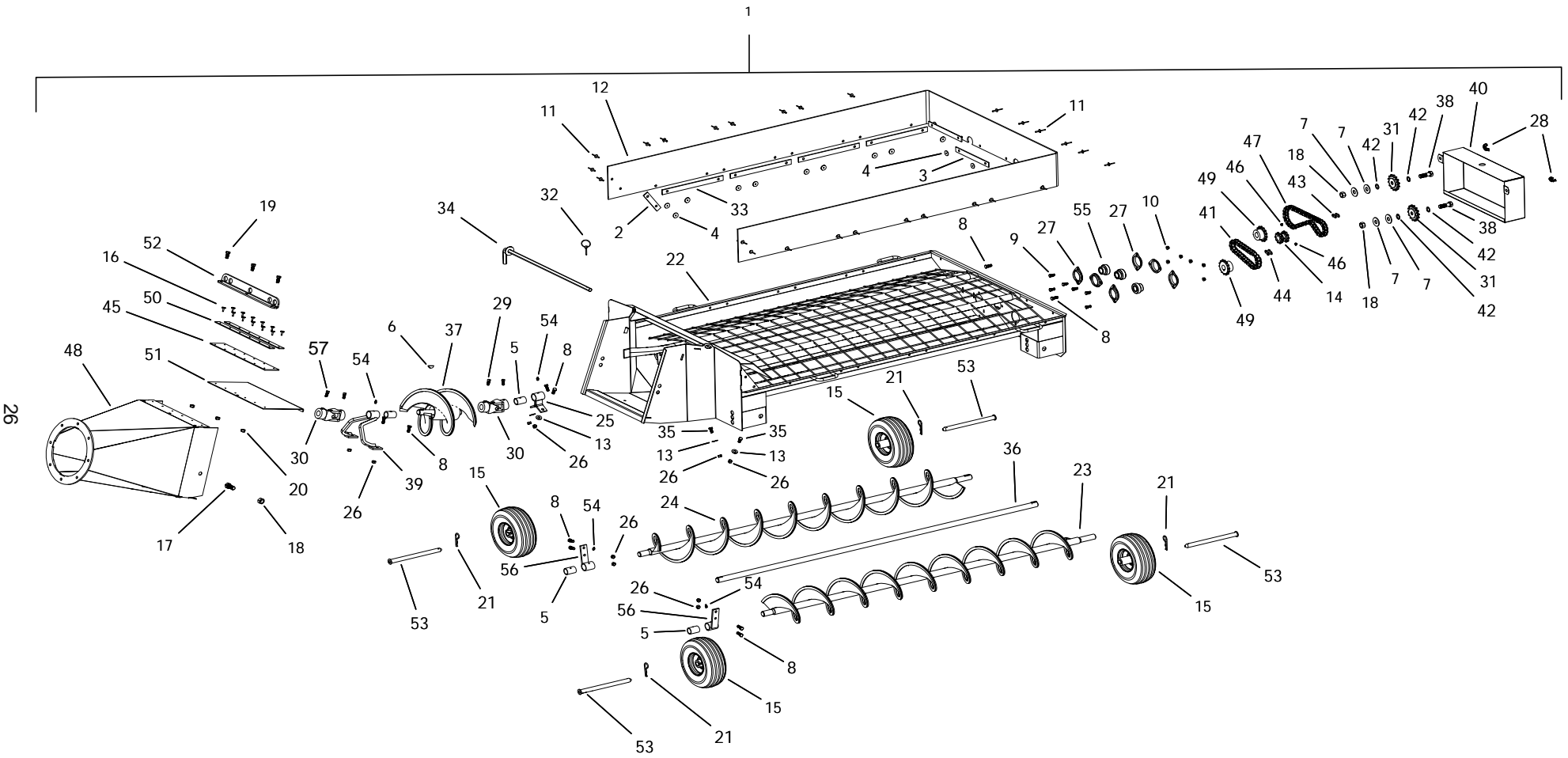
X100 LOW PROFILE HOPPER



X100 LOW PROFILE HOPPER

ITEM	PART NO.	DESCRIPTION
1	10-21617	MKX/X10 LP HOPPER ASSEMBLY
2	10-18878	4-3/4 STRAP
3	10-17358	10-1/2 BELT ATTACH
4	10-18186	3/16" X 1 RIVET WASHER
5	10-19149	1" BUSHING
6	10-19224	1/4" X 1" WOODRUFF KEY
7	10-19966	5/8" FLAT WASHER PLTD
8	10-18955	3/8" X 1" NC BOLT GR 5 PLTD
9	10-19538	5/16" X 3/4" NC BOLT GR 2 PLTD
10	10-19595	5/16" NC SERRATED FLANGE NUT PLTD
11	10-20399	3/16" X 5/8" GRIP ALUM RIVET
12	10-29896	LP RUBBER BELTING
13	10-17392	3/8" FLAT WASHER PLTD
14	10-21566	DS50A10 X 1 SPROCKET
15	10-17522	LOW PRO HOPPER WHEEL
16	10-18185	LARGE FLANGE RIVET
17	10-19590	5/8" X 1-1/2" NC BOLT GR 8 PLTD
18	10-19600	5/8" NC NYLON LOCKNUT PLTD
19	10-19542	7/16" X 1" NC BOLT GR 5 PLTD
20	10-19598	7/16" NC NYLON LOCKNUT GR2 PLTD
21	10-19463	SNAP PIN
22	10-29978	LP HOPPER ONLY
23	10-17345	LP HOPPER FLIGHT SECTION
24	10-29963	LP HOPPER FLIGHT, LH
25	10-17352	BUSHING SUPPORT, LP HOPPER SHAFT
26	10-17402	3/8" NC NYLON LOCKNUT PLTD
27	10-18694	FLANGE PLATED FINISH
28	10-20082	3/8" WING NUT PLTD
29	10-29117	SETSCREW, 3/8" X 5/8" GR 8 SQ END
30	10-29175	U-JOINT (BLACK)
31	10-29894	50C15 X 5/8 IDLER SPROCKET
32	10-29998	3/16" X 1-3/8" LINCHPIN
33	10-18054	BELT ATTACH
34	10-20461	LP DOOR PIN, BENT
35	10-19540	3/8" X 3/4" NC BOLT GR 5 PLTD
36	10-17346	LP DRIVESHAFT
37	10-17356	LP NECK FLIGHT SECTION
38	10-27484	5/8" X 2-1/4" NC BOLT GR 8 PLTD
39	10-21616	MKX/X10 NECK FLIGHT SUPPORT
40	10-29981	LP CHAIN COVER
41	10-21990	#50 - 1R X 29P ROLLER CHAIN
42	10-18096	5/8" RIM WASHER PLTD
43	10-20430	#50 (HEAVY) CONNECTOR LINK
44	10-19134	#50 CONNECTOR LINK
45	10-21101	TRANSITION BELT
46	10-21872	SETSCREW, 5/16" X 5/16" GR 5
47	10-21991	#50 - 1R X 47P ROLLER CHAIN (HEAVY)
48	10-21686	MKX/X10 TRANSITION ASSEMBLY
49	10-19131	50B14 X 1" SPROCKET

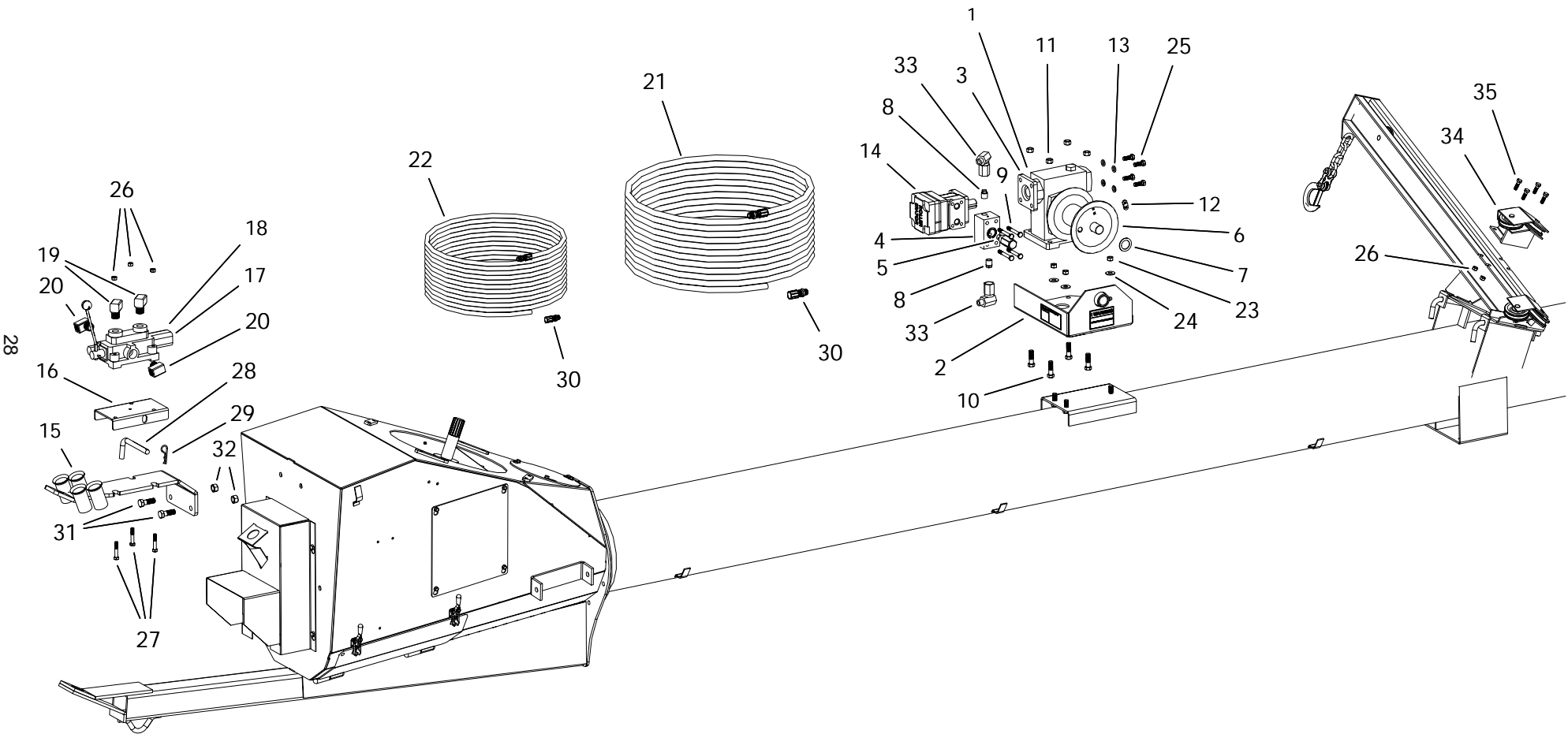
X100 LOW PROFILE HOPPER



X100 LOW PROFILE HOPPER

ITEM	PART NO.	DESCRIPTION
50	10-21102	TRANSITION BELT STRAP
51	10-21100	LP TRANSITION ACCESS DOOR
52	10-21816	MKX/X10 LIFT CABLE ATTACH BRACKET
53	10-17394	LP FIXED WHEEL AXLE
54	10-19222	GREASE ZERK
55	10-18817	BEARING
56	10-17583	BUSHING SUPPORT
57	10-19225	3/8" X 3/8" SET SCREW

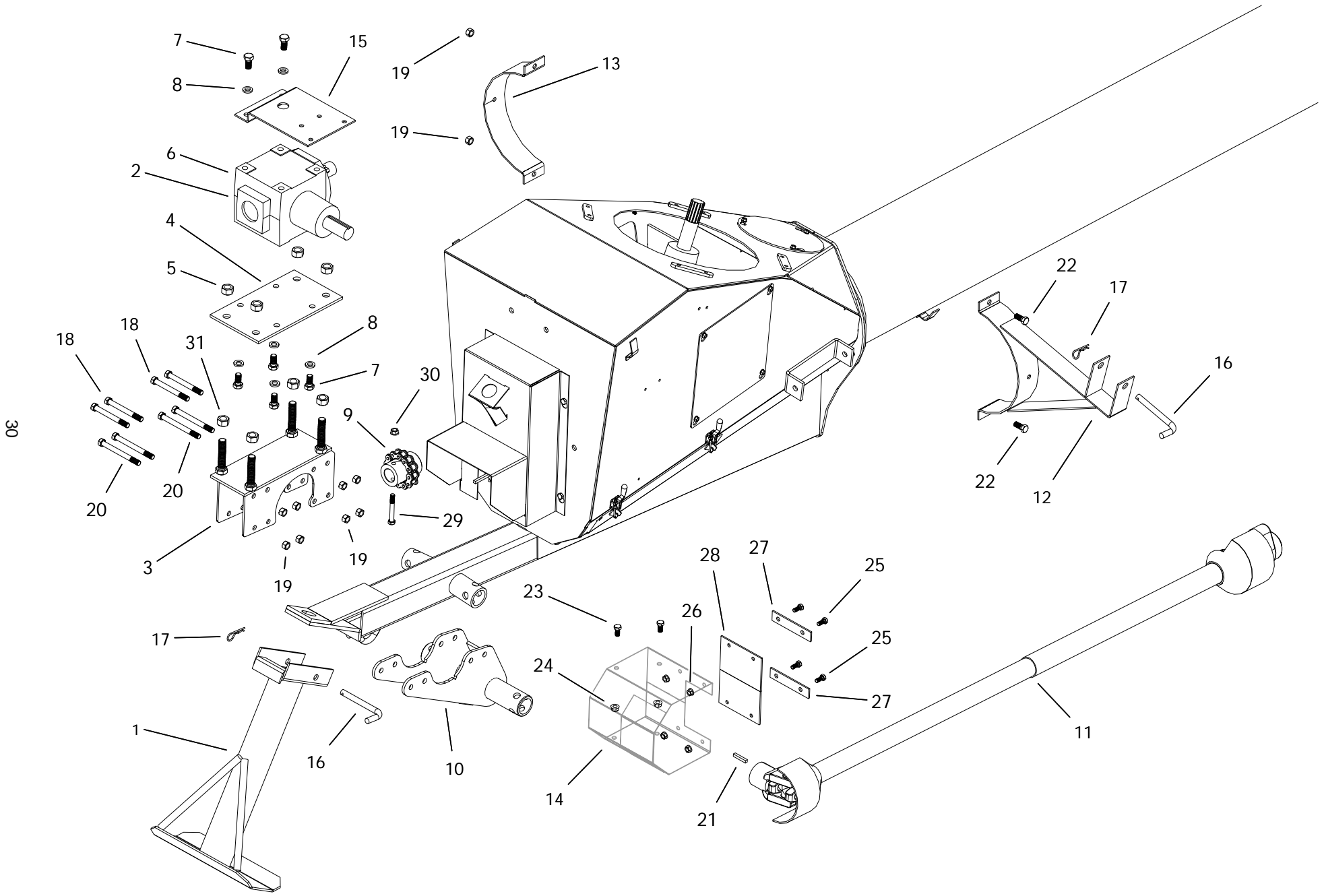
X100 HYDRAULIC WINCH [A2996]



X100 HYDRAULIC WINCH [A296]

ITEM	PART NO.	DESCRIPTION
1	10-17634	HYDRAULIC WINCH ASSEMBLY, RED
2	10-17628	HYD WINCH FRAME ASSEMBLY, RED
3	10-17625	60 WPUDS 20:1
4	10-28221	MANIFOLD WINCH RELIEF BLOCK
5	10-28222	VALVE WINCH NON-ADJ REFLIEF MANIFOLD
6	10-17629	HYDRAULIC WINCH DRUM, RED
7	10-18097	1" RIM WASHER PLTD
8	0308013	3/8" NPT PLASTIC PLUG
9	10-17631	5/16" X 2-1/2" NC BOLT GR 2 PLTD
10	10-28744	7/16" X 1-1/2" NC BOLT GR 5 PLTD
11	10-19598	7/16" NC NYLON LOCKNUT GR 2 PLTD
12	10-18496	ROPE KEEPER KIT
13	10-19604	3/8" LOCK WASHER PLTD
14	10-17626	MOTOR, HYD, 3.2, MANIFOLD KEYED
15	10-20705	VALVE BRACKET
16	10-20044	VALVE MOUNT PLATE
17	10-20132	HYDRAULIC VALVE ASSEMBLY
18	10-17675	HYDRAULIC VALVE
19	10-28478	STEEL ELBOW
20	10-29087	STEEL ELBOW 90, 12MNPT X 8FNPSM
21	10-21774	3/8" X 132" HYDRAULIC HOSE
22	10-21860	3/8" X 77" HYDRAULIC HOSE
23	10-17402	3/8" NC NYLON LOCKNUT PLTD
24	10-17392	3/8" FLAT WASHER PLTD
25	10-18955	3/8" X 1" NC BOLT GR 5 PLTD
26	10-19980	5/16" NC NYLON LOCKNUT PLTD
27	10-17712	5/16" X 1-3/4" NC BOLT GR 5 PLTD
28	10-19648	SADDLE PIN
29	10-17383	GRIP CLIP
30	9900047	PIONEER COUPLER
31	10-19589	1/2" X 1-1/2" NC BOLT GR 8 PLTD
32	10-17750	1/2" NC NYLON LOCKNUT GR 5 YLW PLTD
33	1100625	STEEL ELBOW 90, 1/2FNPSMX3/8MNPT
34	10-20033	LIFT ARM PULLEY GUIDE
35	10-17125	5/16" X 1" SHEAR BOLT

X100 RIGHT ANGLE DRIVE [A293]

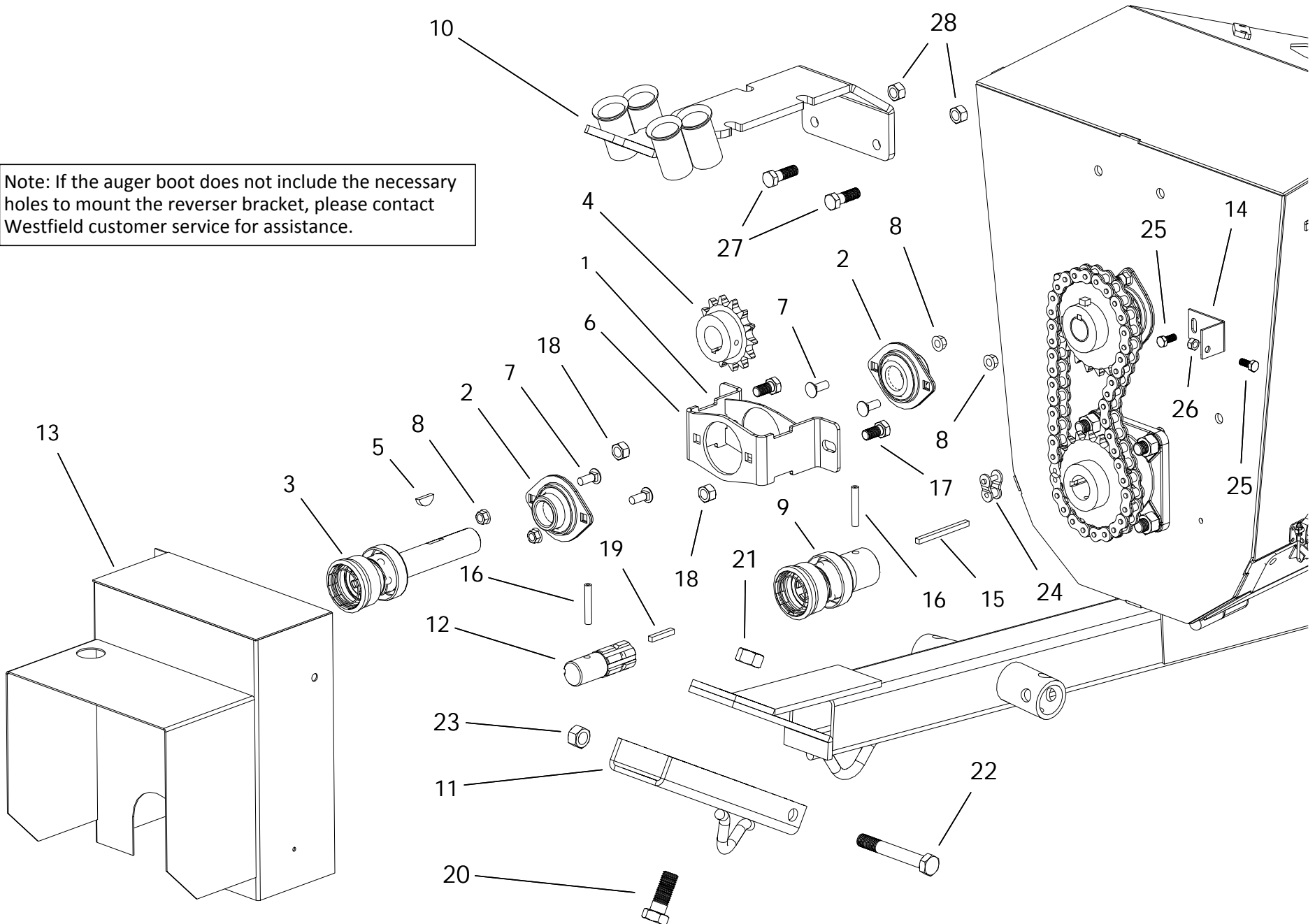


X100 RIGHT ANGLE DRIVE [A293]

ITEM	PART NO.	DESCRIPTION
1	10-29137	RAD LEG
2	10-21798	RAD GEARBOX ASSEMBLY
3	10-21799	RAD GEARBOX MOUNT
4	10-17597	ADJUST PLATE, RAD
5	10-19600	5/8" NC NYLON LOCKNUT PLTD
6	10-19585	GEARBOX
7	10-19231	1/2" X 1" NC BOLT GR 5 PLTD
8	10-19605	1/2" LOCK WASHER PLTD
9	10-17637	FLEX COUPLER
10	10-29315	RAD JACK MOUNT
11	10-17610	WHITE END PTO SHAFT (60")
12	10-19804	SD SADDLE BRACKET
13	10-19801	HALF CLAMP
14	10-17232	PTO SHIELD ASSEMBLY
15	10-17598	RAD ATTACH PLATE
16	10-19648	SADDLE PIN
17	10-19463	HITCH PIN
18	10-19982	7/16" X 4" NC BOLT GR 5 PLTD
19	10-19598	7/16" NC NYLON LOCKNUT GR 2 PLTD
20	10-29316	7/16" X 4-1/2" NC BOLT GR 5 PLTD
21	10-19606	1/4" X 1-1/2" SQUARE KEY
22	10-19542	7/16" X 1" NC BOLT GR 5 PLTD
23	10-19540	3/8" X 3/4" NC BOLT GR 5 PLTD
24	10-19596	3/8" NC SERRATED FLANGE NUT PLTD
25	10-19538	5/16" x 3/4" BOLT, GR2 PLTD
26	10-19595	5/16" FLANGE NUT
27	10-18878	4-3/4" STRAP
28	10-17229	RUBBER BELT
29	10-17635	3/8" X 2-3/4" NC BOLT GR 8 PLTD
30	10-19596	3/8" NC SERRATED FLANGE NUT PLTD
31	10-19864	5/8" NC HEX NUT PLTD

X100 REVERSING KIT [A292]

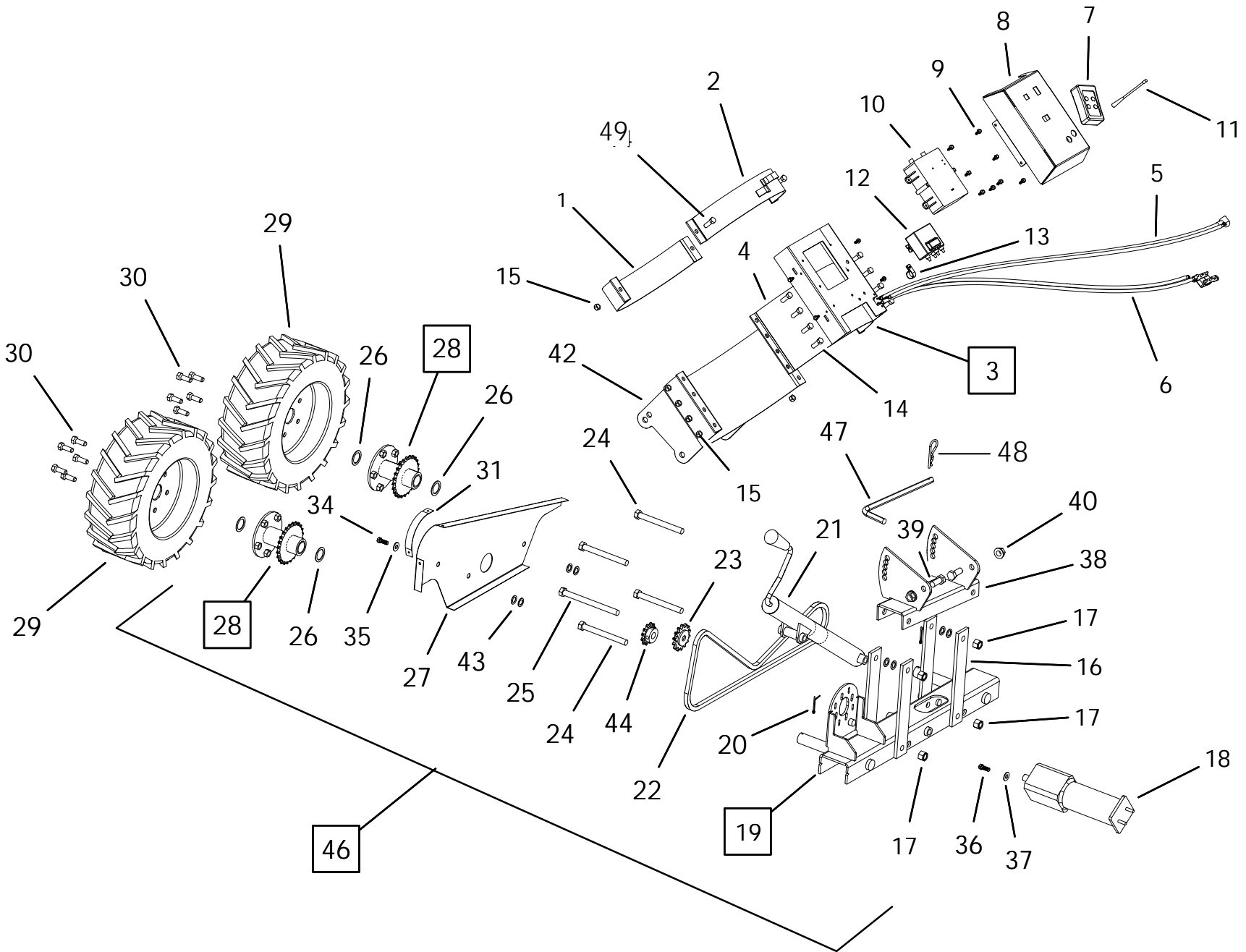
Note: If the auger boot does not include the necessary holes to mount the reverser bracket, please contact Westfield customer service for assistance.



X100 REVERSING KIT [A292]

ITEM	PART NO.	DESCRIPTION
1	10-21786	REVERSER BRACKET ASSEMBLY
2	10-19322	1-1/4 2-HOLE FLANGE BEARING
3	10-17054	REVERSER COUPLER
4	10-17067	60B14 X 1-1/4 SPROCKET
5	10-19224	1/4" X 1" WOODRUFF KEY
6	10-21785	MKX/X10 REVERSER BRACKET
7	10-27986	3/8" X 1" NC CARRIAGE BOLT GR 5 PLTD
8	10-19596	3/8" NC SERRATED FLANGE NUT PLTD
9	10-17051	REV LOWER COUPLER
10	10-20705	VALVE BRACKET
11	10-17055	REV HITCH EXTENSION
12	10-18176	SPLINED SHAFT
13	10-21784	REVERSER SHIELD
14	10-21989	MKX/X10 REVERSER SHIELD BRACKET
15	10-21758	1/4" X 3-3/8" SQUARE KEY
16	10-18079	5/16" X 2" ROLL PIN
17	10-19231	1/2" X 1" NC BOLT GR 5 PLTD
18	10-19599	1/2" NC NYLON LOCKNUT GR 2 PLTD
19	10-19606	1/4" X 1-1/2" SQUARE KEY
20	10-19592	3/4" X 2" NC BOLT GR 8 PLTD
21	10-19601	3/4" NC NYLON LOCKNUT PLTD
22	10-18545	5/8" X 4-1/2" NC BOLT GR 8 PLTD
23	10-19600	5/8" NC NYLON LOCKNUT PLTD
24	10-29526	#60 OFFSET LINK
25	10-19538	5/16" X 3/4" BOLT GR2 PLTD
26	10-19980	5/16" NC NYLON LOCKNUT PLTD
27	10-19589	1/2" X 1-1/2" NC BOLT GR8 PLTD
28	10-17750	1/2" NC NYLON LOCKNUT PLTD

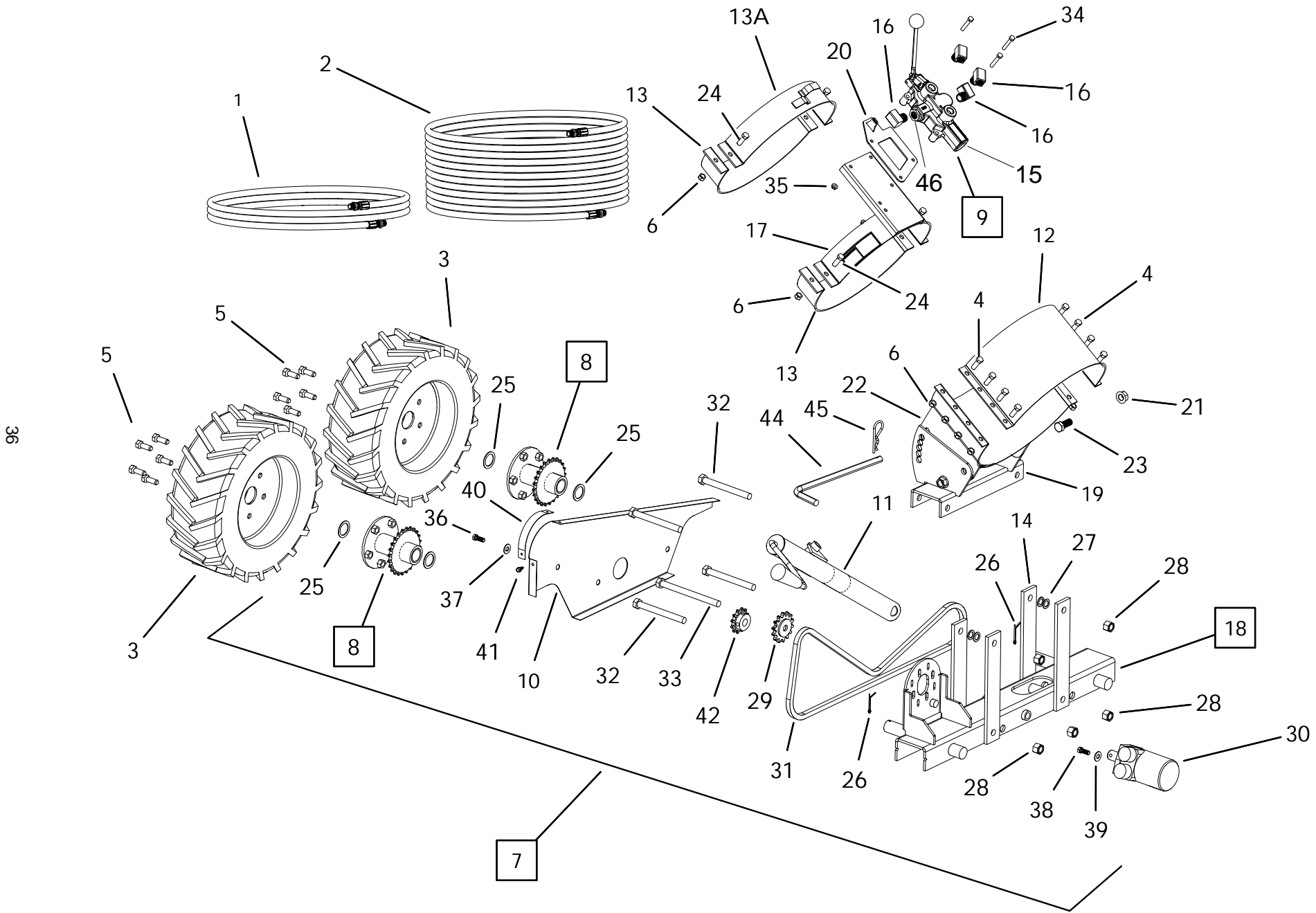
A269 ELECTRIC POWER SWING-10"



A269 ELECTRIC POWER SWING-10"

ITEM	PART NO.	DESCRIPTION
1	10-19801	W100 HALF CLAMP
2	10-17696	MK100 PS HOSE CLIP HALF CLAMP
3	10-20289	ASSY, 10" P/S TOP CLAMP RECEIVER
4	10-20154	10" TOP CLAMP W.A RC POWERSWING
5	10-20168	WIRE HARNESS - CONTACTOR TO MOTOR
6	10-20169	WIRE HARNESS - CONTACTOR TO BATTERY
7	10-20134	92102TX TRANSMITTER
8	10-20178	COVER, PS RECEIVER ARMOR - POWERSWING
9	10-19274	#14 X 5/8" SHEET METAL SCREW
10	10-20135	RECEIVER, REMOTE CONTROL-LOADAR
11	10-20524	ANTENNA
12	10-20136	CONTACTOR, 80 AMP
13	10-20268	CLAMP, 5/8" X 12" INSULATED (QUICK504404-010)
14	10-18698	7/16" X 1-1/4" BOLT GR 8
15	10-19598	7/16" NYLON LOCKNUT GR 2
16	10-20174	PLATE, PARALLEL BAR - POWERSWING
17	10-19600	5/8" NYLON LOCKNUT
18	10-20138	12V. DC MOTOR
19	10-20173	AXLE ASSY, POWER SWING
20	10-17757	3/16" X 1-3/4" COTTER PIN
21	10-20179	JACK, POWERSWING
22	10-20515	#50 ROLLER CHAIN
23	10-29894	50C15 X 5/8" SPROCKET IDLER
24	10-20163	5/8" X 6" BOLT GR5
25	10-20164	5/8" X 7-1/2" BOLT GR8
26	10-17651	1-1/4" RIM WASHER PLTD
27	10-20180	GUARD, POWERSWING
28	10-20166	ASSY HUB, W/ BUSHING
29	10-20137	16 X 6.5 5 BOLT WHEEL ASSM
30	10-19273	1/2" X 1-3/4" NF #5 WHEEL BOLT
31	10-20180	GUARD, CURVED P/S
32	10-20268	5/8" X 1/2" INSULATED CAP (NOT SHOWN)
33A	10-19134	#50 CONNECTOR LINK (NOT SHOWN)
33	10-20135	9200RX RECEIVER (NOT SHOWN)
34	10-19540	3/8" X 3/4" BOLT GR5
35	10-17392	3/8" FLAT WASHER
36	10-20445	1/4" X 1" BOLT GR8
37	10-27336	5/16" FLAT WASHER
38	10-20892	PIVOT - POWERSWING
39	10-19590	5/8" X 1-1/2" BOLT GR 8
40	10-27588	5/8" SERRATED FLANGE NUT
41	10-20136	9824 CONTACTOR (NOT SHOWN)
42	10-20291	10" BOTTOM CLAMP - POWER SWING
43	10-18096	5/8" RIM WASHER PLTD
44	10-20210	50B1215 X 3/4" SPROCKET
46	10-20269	ELECTRIC PS AXLE AS SHIPPED
47	10-20895	PS ADJUST PIN
48	10-19463	HAIRPIN, 7/16" X 3/4", 1/8" DIA.
49	10-19542	7/16" X 1" NC BOLT GR5 PLTD

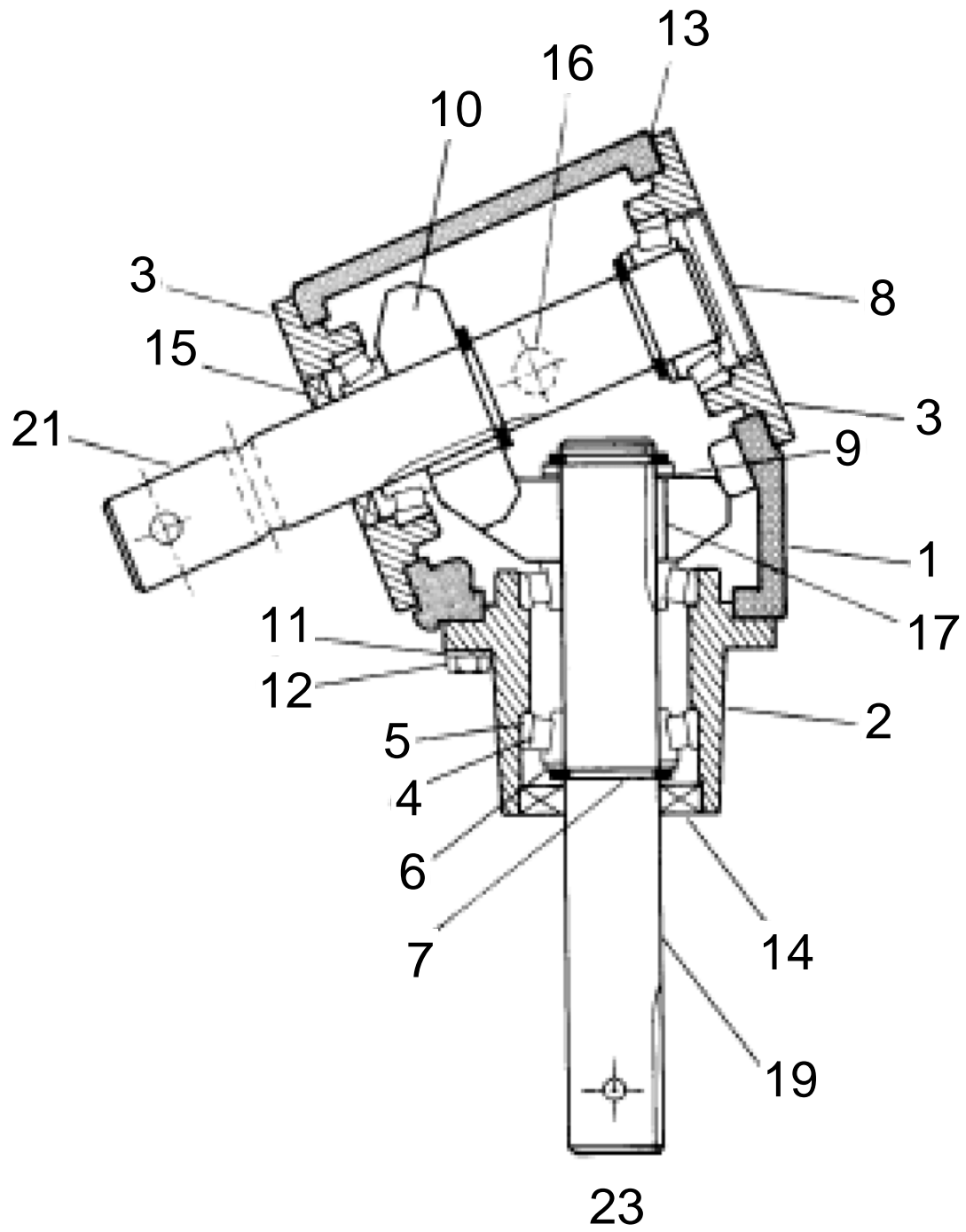
A270 HYDRAULIC POWER SWING-10"



A270 HYDRAULIC POWER SWING-10"

ITEM	PART NO.	DESCRIPTION
1	10-17710	3/8" X 38" HYDRAULIC HOSE
2	10-17711	3/8" X 173" HYDRAULIC HOSE
3	10-20137	16 X 6.5 5 BOLT WHEEL ASSM
4	10-18698	7/16" X 1-1/4" BOLT GR 8
5	10-19273	1/2" X 1-3/4" NF #5 WHEEL BOLT
6	10-19598	7/16" NYLON LOCKNUT GR 2
7	10-20270	HYD PS AXLE AS SHIPPED
8	10-20166	ASSY HUB, W/ BUSHING
9	10-22006	HYDRAULIC VALVE W/ FITTINGS
10	10-20180	GUARD, POWERSWING
11	10-20179	JACK, POWERSWING
12	10-27235	10" HITCH RING
13A	10-17696	MK100 PS HOSE CLIP HALF CLAMP
13	10-19801	W100 HALF CLAMP
14	10-20174	PLATE, PARALLEL BAR - POWERSWING
15	10-17675	HYDRAULIC VALVE ONLY
16	10-17699	X115 1/2" STREET ELBOW
17	10-17706	10" POWER SWING VALVE BRACKET
18	10-20173	AXLE ASSY, POWER SWING
19	10-20892	PIVOT - POWERSWING
20	10-20272	HYD SPOOL LIMITER
21	10-27588	5/8" SERRATED FLANGE NUT
22	10-20291	10" BOTTOM CLAMP - POWERSWING
23	10-19590	5/8" X 1-1/2" BOLT GR 8
24	10-19542	7/16" X 1" NC BOLT GR5 PLTD
25	10-17651	1-1/4" RIM WASHER
26	10-17757	3/16" X 1-3/4" COTTER PIN
27	10-18096	5/8" RIM WASHER
28	10-19600	5/8" NC LOCKNUT
29	10-29894	50C15 X 5/8" IDLER SPROCKET
30	10-20246	HYDRAULIC MOTOR
31A	10-19134	#50 CONNECTOR LINK (NOT SHOWN)
31	10-20515	#50 ROLLER CHAIN
32	10-20163	BOLT, 5/8 X 6" GR5
33	10-20164	BOLT, 5/8 X 7-1/2" GR8
34	10-17712	5/16" X 1-3/4" BOLT GR5
35	10-19980	5/16" NYLON LOCKNUT
36	10-19540	3/8" X 3/4" BOLT GR5
37	10-17392	3/8" FLAT WASHER
38	10-18955	3/8" X 1" BOLT GR5
39	10-17392	3/8" FLAT WASHER
40	10-20180	GUARD, CURVED P/S
41	10-19274	#14 X 5/8" SHEET METAL SCREW
42	10-20211	50B12 X 1 SPROCKET
44	10-20895	PS ADJUST PIN
45	10-19463	HAIRPIN 7/16" X 3/4", 1/8" DIA.
46	10-27411	REDUCER BUSHING

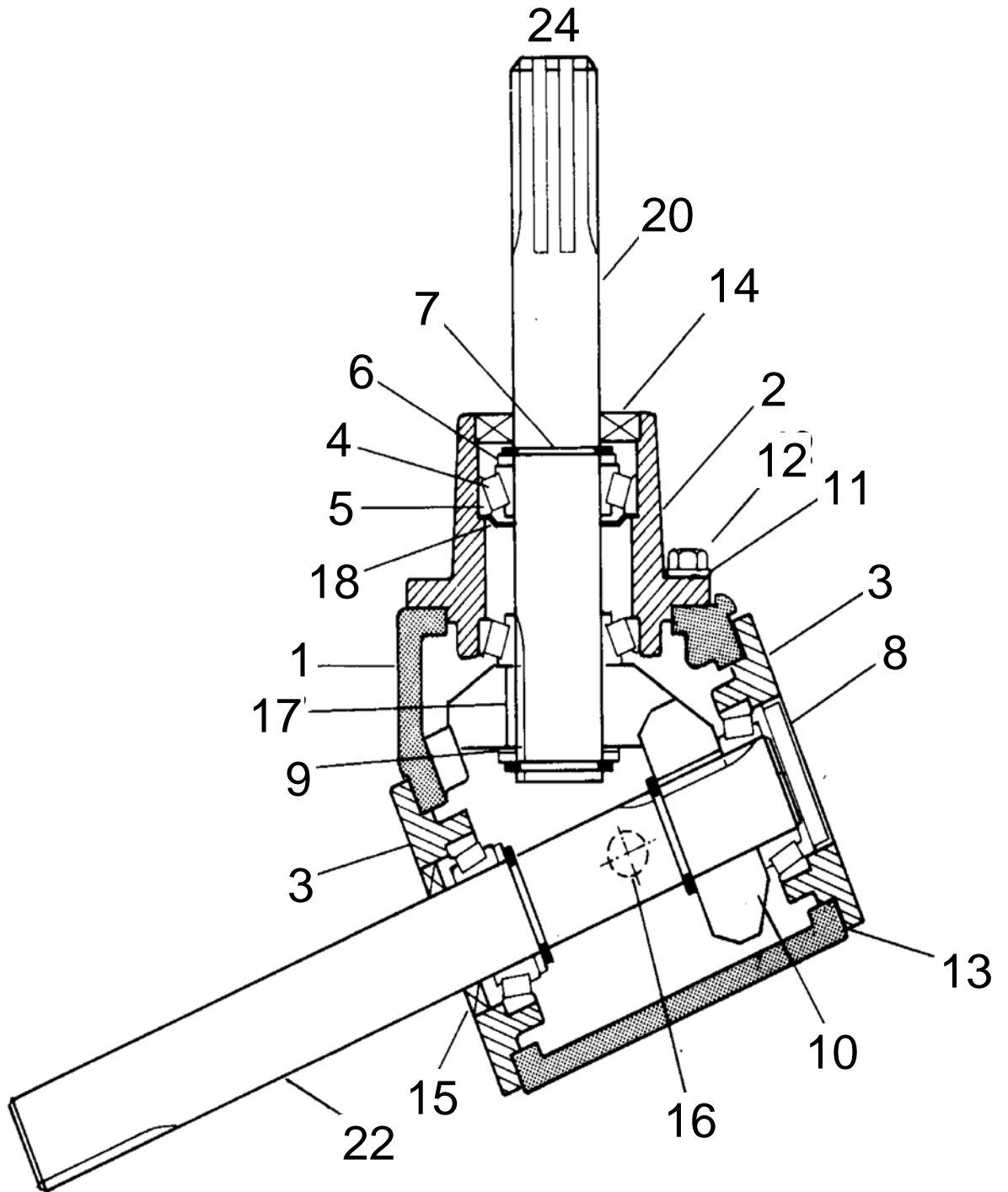
X100 UPPER GEARBOX



X100 UPPER GEARBOX

ITEM	PART NO.	DESCRIPTION
1	10-18959	Housing
2	10-18960	Quill
3	10-18961	End cap
4	10-19265	Bearing cone Timken # LM 67048
5	10-19266	Bearing cup Timken # LM 67010
6	10-18426	Spacer
7	10-18962	Snap ring
8	10-18963	Expansion plug
9	10-18411	.007Shim(1.25" I.D.)
10	10-18964	Gear
11	10-19603	Lockwasher, 5/16"
12	10-19538	Cap screw, 5/16" - 18 x 3/4"
13	10-18390	.005 Shim
14	10-18427	Seal, National # 471808, CR# 12614
15	10-18403	Seal, National # 470163, CR# 12458
16	10-18393	1/4 NPT Pipe plug
17	10-18380	Square Key
19	10-18967	Pinion shaft, upper gearbox only
21	10-18972	Cross shaft, upper gearbox only
23	10-18849	Upper gearbox, complete

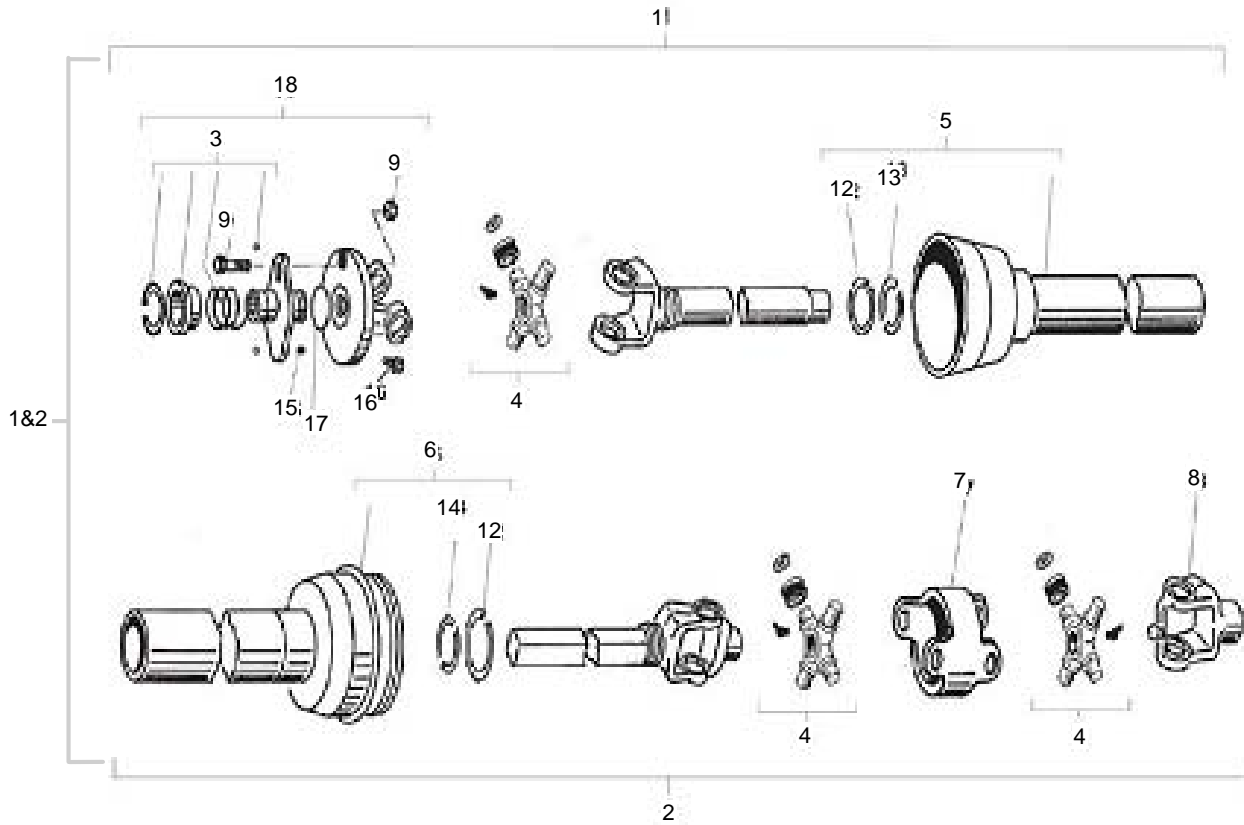
X100 LOWER GEARBOX



X100 LOWER GEARBOX

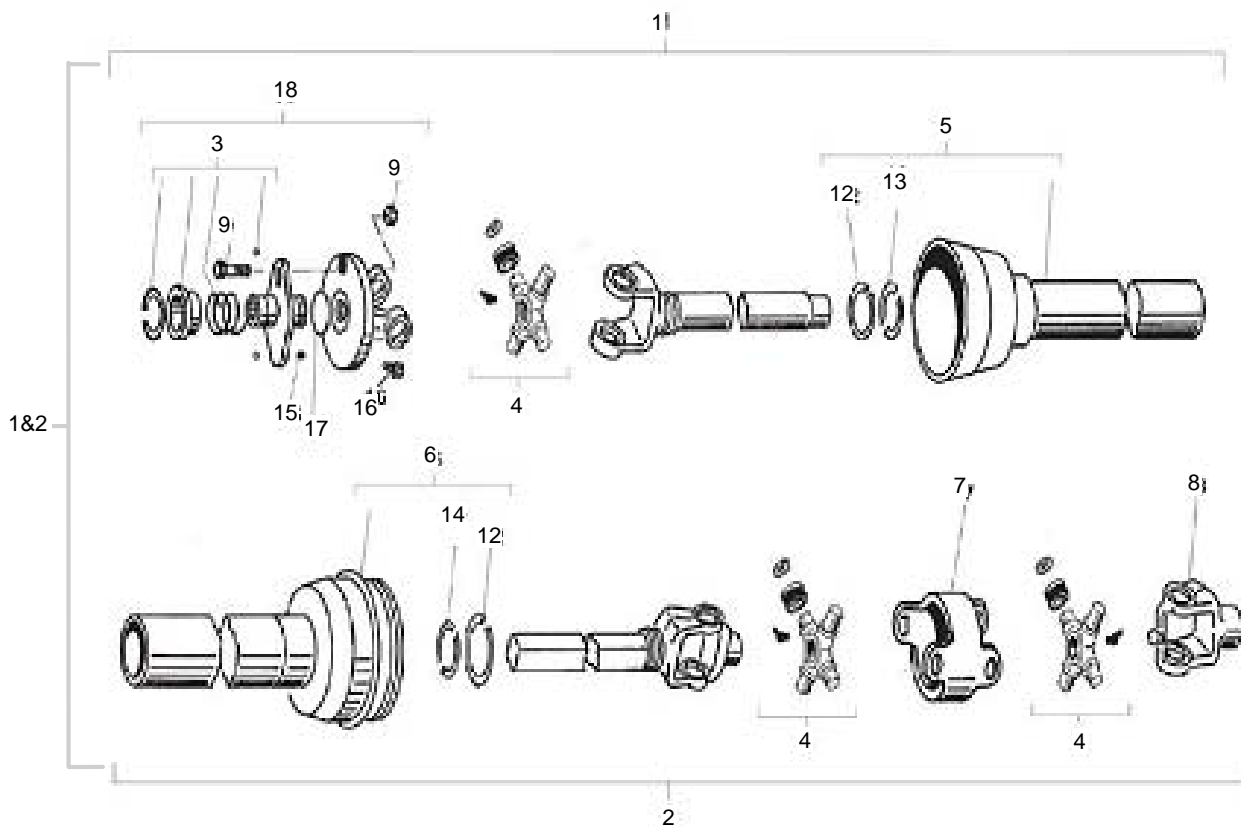
ITEM	PART NO.	DESCRIPTION
1	10-18959	Housing
2	10-18960	Quill
3	10-18961	End cap
4	10-19265	Bearing cone Timken # LM 67048
5	10-19266	Bearing cup Timken # LM 67010
6	10-18426	Spacer
7	10-18962	Snap ring
8	10-18963	Expansion plug
9	10-18411	.007Shim(1.25" I.D.)
10	10-18964	Gear
11	10-19603	Lockwasher, 5/16"
12	10-19538	Cap screw, 5/16" - 18 x 3/4"
13	10-18390	.005 Shim
14	10-18427	Seal, National # 471808, CR# 12614
15	10-18403	Seal, National # 470163, CR# 12458
16	10-18393	1/4 NPT Pipe plug
17	10-18380	Square Key
18	10-18965	Grease washer, lower gearbox only
20	10-18970	Pinion shaft, lower gearbox only
22	10-21938	Cross shaft, lower gearbox only
24	10-21549	Lower Gear Box, complete

X100-63, 73 CONSTANT VELOCITY PTO SHAFT (WEASLER)



ITEM	PART NO.	DESCRIPTION
1	10-18456	1/2 PTO shaft, tractor end
1&2	10-18484	Complete PTO shaft
2	10-18457	1/2 PTO shaft, implement end
3	10-18458	SPRING LOCK REPAIR KIT
4	10-18459	UNIVERSAL JOINT REPAIR KIT
5	10-18460	Plastic shield c/w reference no. 12 & 13, tractor end
6	10-18461	Plastic shield c/w reference no. 12 & 14, implement end
7	10-18462	CV centre housing
8	10-18463	End yoke
9	10-17126	Bolt and locknut, 5/16 - 18 x 1", grade 8
12	10-18467	Retainer ring
13	10-18468	Nylon bearing
14	10-18468	Nylon bearing
15	10-18470	Ball bearing kit
16	10-19995	Bolt, 3/8 - 16 x 1/2", grade 5
17	10-18485	Blank disc
18	10-18363	Shear assembly

X100-83 CONSTANT VELOCITY PTO SHAFT (WEASLER)



ITEM	PART NO.	DESCRIPTION
1&2	10-27481	Complete PTO shaft
1	10-27592	1/2 PTO shaft, tractor end
2	10-27593	1/2 PTO shaft, implement end
3	10-18270	SPRING LOCK REPAIR KIT
4	10-18271	UNIVERSAL JOINT REPAIR KIT
5	10-27596	Plastic shield c/w reference no. 12 & 13, tractor end
6	10-27595	Plastic shield c/w reference no. 12 & 14, implement end
7	10-18274	CV centre housing
8	10-27594	End yoke
9	10-17126	Bolt and locknut, 5/16 - 18 x 1", grade 8
12	10-18467	Retainer ring
13	10-18468	Nylon bearing
14	10-18441	Nylon bearing
15	10-18470	Ball bearing kit
16	10-19995	Bolt, 3/8 - 16 x 1/2", grade 5
17	10-18485	Blank disc
18	10-27597	Shear assembly

WHEATHEART

Box 39

Rosenort, Manitoba, Canada

Phone: (204) 746-2396 Fax: (204) 746-2679

Toll Free: (866) 467-7207 (Canada & USA)

website: www.wheatheart.com email: sales@wheatheart.com



Printed in Canada